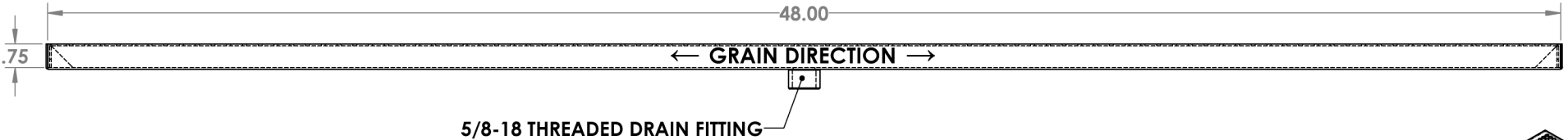
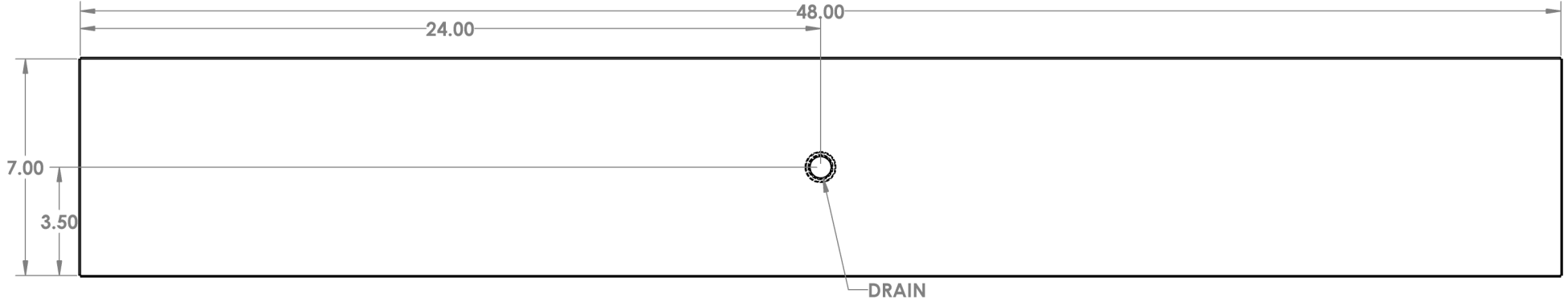
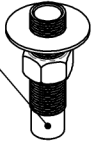


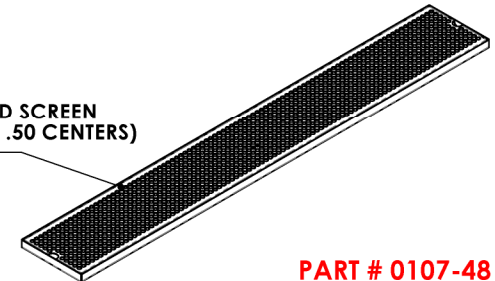
**CHANGE DIMENSIONS AS NEEDED FOR CUSTOM TRAYS**

		REVISIONS			
DATE	REV.	DESCRIPTION	DATE	APPROVED	

5/8-18 X 3" LONG BRASS DRAIN W/HARDWARE



PERFORATED SCREEN  
( $\phi$ .375 ON .50 CENTERS)  
STANDARD



**PART # 0107-48**

**NOTES:**

**ALL DIMENSIONS ARE INSIDE DIMENSIONS  
(UNLESS OTHERWISE NOTED)**

PROPRIETARY AND CONFIDENTIAL

THE INFORMATION CONTAINED IN THIS DRAWING IS THE SOLE PROPERTY OF ACU PRECISION SHEET METAL. ANY REPRODUCTION IN PART OR AS A WHOLE WITHOUT THE WRITTEN PERMISSION OF ACU PRECISION SHEET METAL IS PROHIBITED.

ACU PRECISION SHEET METAL IS :  
AMERICAN COFFEE URN MANUFACTURING CO., INC

	NAME	DATE
DRAWN	L. WILLIAMS	10/16
MATERIAL	18 GA. 304 STAINLESS STEEL	
FINISH	#4 BRUSHED	

TITLE:
<b>SM-D SURFACE MOUNT W/DRAIN 7" X 48"</b>
<b>AMERICAN COFFEE URN</b>