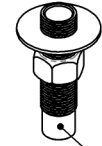
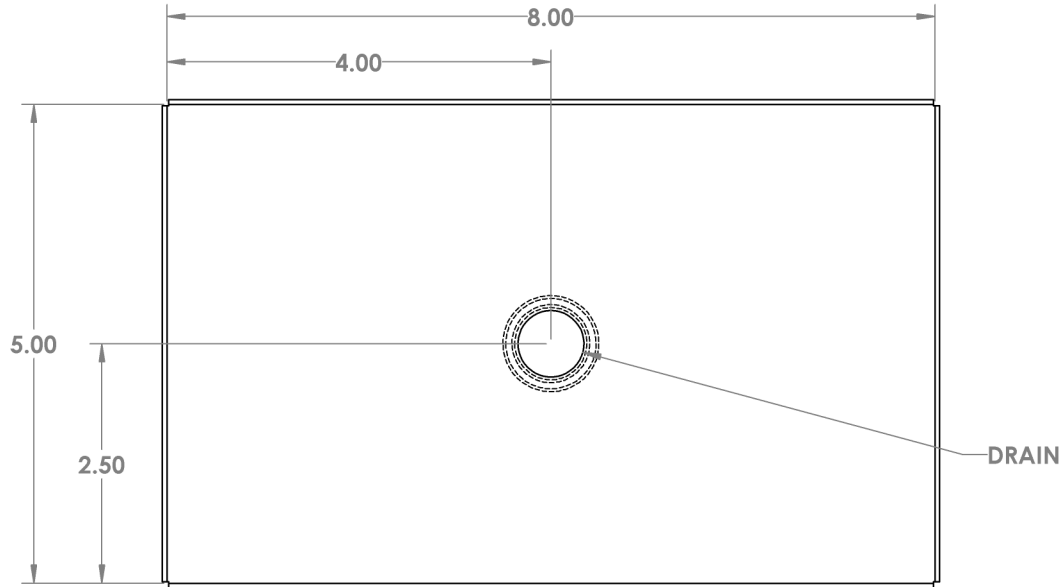
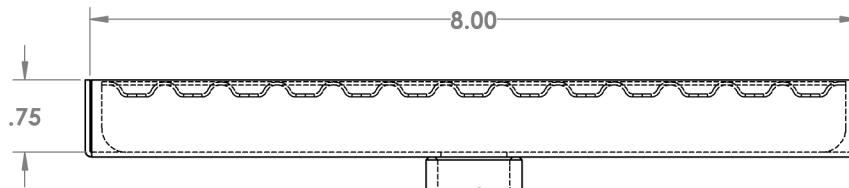


CHANGE DIMENSIONS AS NEEDED FOR CUSTOM TRAYS

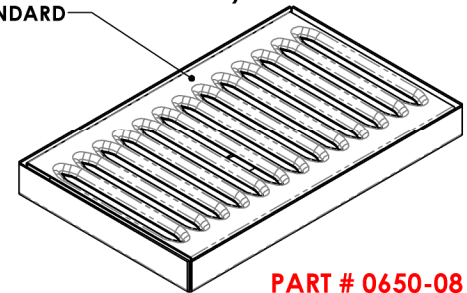
		REVISIONS			
LINE	REV.	DESCRIPTION	DATE	APPROVED	



5/8-18 X 3" LONG BRASS DRAIN W/HARDWARE



20 GA. LOUVER SCREEN* (3.50 X .50 ON .50 CENTERS) STANDARD



NOTES:

ALL DIMENSIONS ARE INSIDE DIMENSIONS (UNLESS OTHERWISE NOTED)

*** OPTIONAL 18 GA. PERFORATED SCREEN AVAILABLE ON CUSTOM TRAYS**

PROPRIETARY AND CONFIDENTIAL
 THE INFORMATION CONTAINED IN THIS DRAWING IS THE SOLE PROPERTY OF ACU PRECISION SHEET METAL. ANY REPRODUCTION IN PART OR AS A WHOLE WITHOUT THE WRITTEN PERMISSION OF ACU PRECISION SHEET METAL IS PROHIBITED.
 ACU PRECISION SHEET METAL IS :
 AMERICAN COFFEE URN MANUFACTURING CO., INC

	NAME	DATE
DRAWN	L. WILLIAMS	10/16
MATERIAL	16 GA. BRASS	
FINISH	#8 POLISHED	

TITLE:
SM-D SURFACE MOUNT W/DRAIN 5" X 8"
AMERICAN COFFEE URN