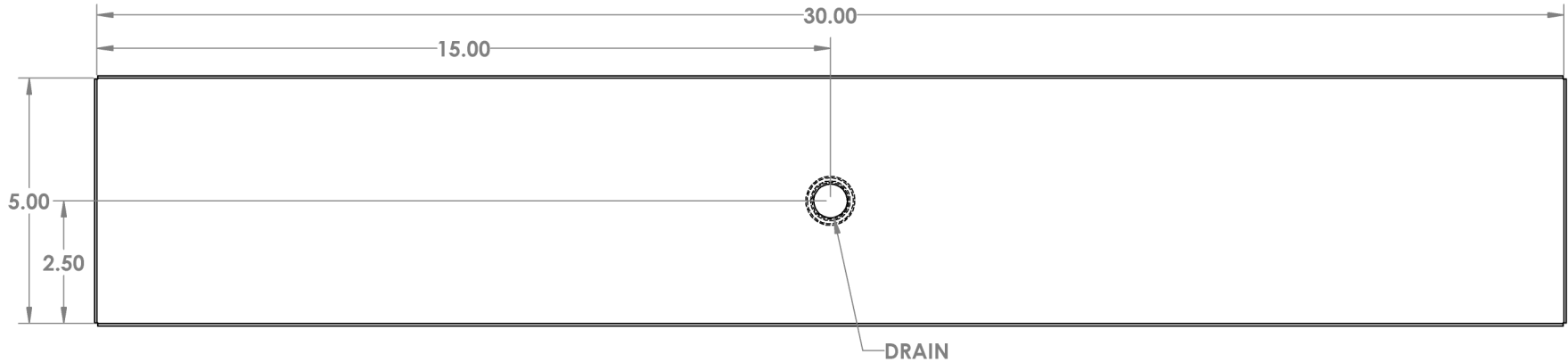
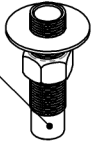


**CHANGE DIMENSIONS AS NEEDED FOR CUSTOM TRAYS**

		REVISIONS	
LINE	REV.	DESCRIPTION	DATE

5/8-18 X 3" LONG  
 BRASS DRAIN W/HARDWARE



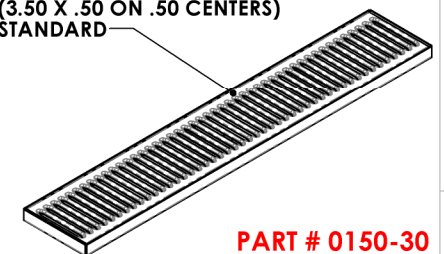
DRAIN



← GRAIN DIRECTION →

5/8-18 THREADED DRAIN FITTING

20 GA. LOUVER SCREEN\*  
 (3.50 X .50 ON .50 CENTERS)  
 STANDARD



**PART # 0150-30**

**NOTES:**  
 ALL DIMENSIONS ARE INSIDE DIMENSIONS  
 (UNLESS OTHERWISE NOTED)

\* OPTIONAL 18 GA. PERFORATED SCREEN  
 AVAILABLE ON CUSTOM TRAYS

PROPRIETARY AND CONFIDENTIAL THE INFORMATION CONTAINED IN THIS DRAWING IS THE SOLE PROPERTY OF ACU PRECISION SHEET METAL. ANY REPRODUCTION IN PART OR AS A WHOLE WITHOUT THE WRITTEN PERMISSION OF ACU PRECISION SHEET METAL IS PROHIBITED. AMERICAN COFFEE URN MANUFACTURING CO., INC.		NAME <b>L. WILLIAMS</b>	DATE <b>10/16</b>	TITLE: <b>SM-D                  SURFACE MOUNT W/DRAIN                  5" X 30"</b>  <b>AMERICAN COFFEE URN</b>
DRAWN	MATERIAL <b>18 GA. 304 STAINLESS STEEL</b>			
FINISH	#4 BRUSHED			
DO NOT SCALE DRAWING				