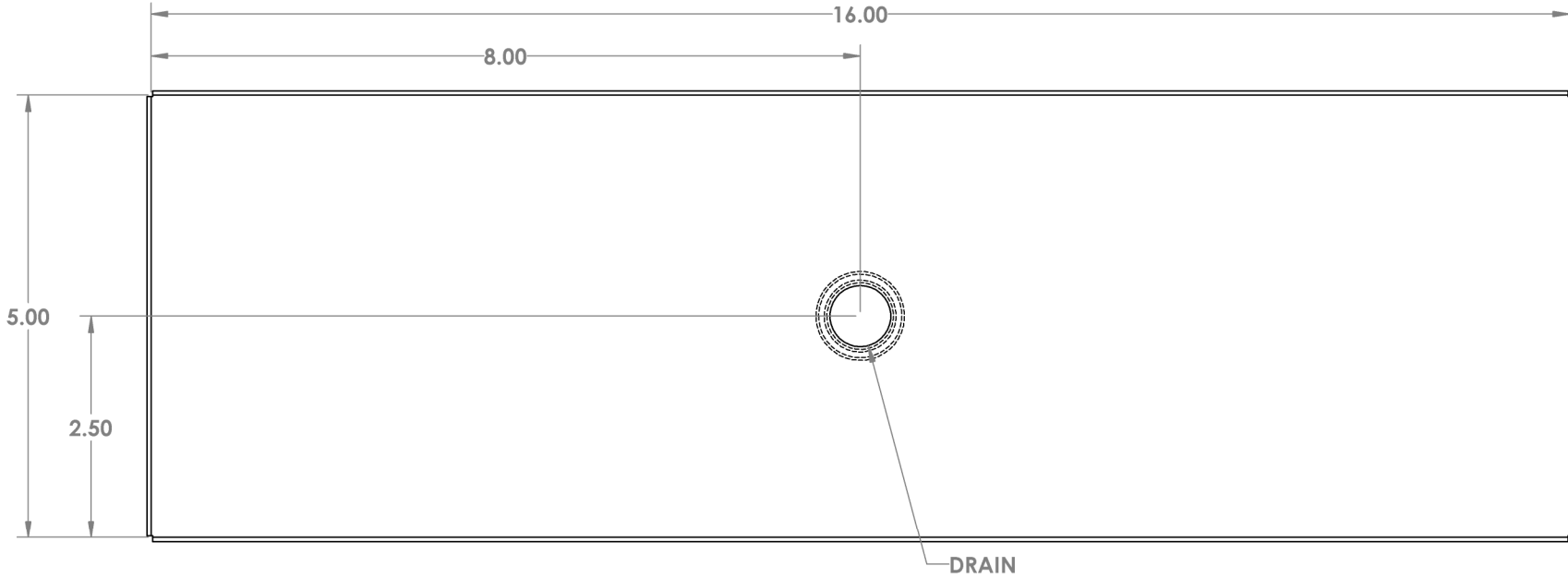
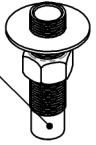


**CHANGE DIMENSIONS AS NEEDED FOR CUSTOM TRAYS**

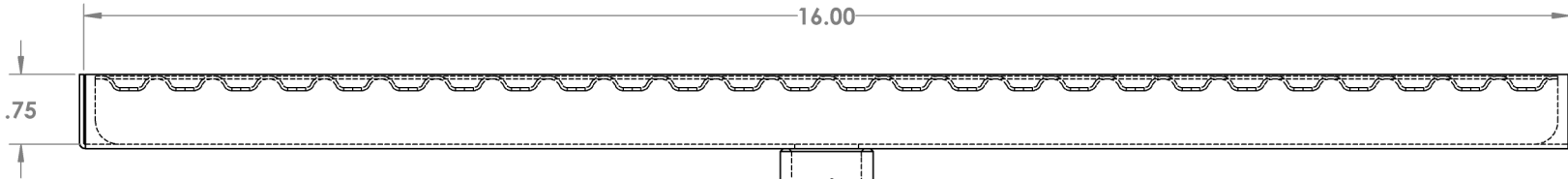
REV. NO.		REVISIONS	DATE	APPROVED
DATE	DESCRIPTION			

**Precision Sheet Metal**  
 Design ♦ Engineering ♦ Fabrication  
 www.acumetalfab.com

5/8-18 X 3" LONG  
 BRASS DRAIN W/HARDWARE

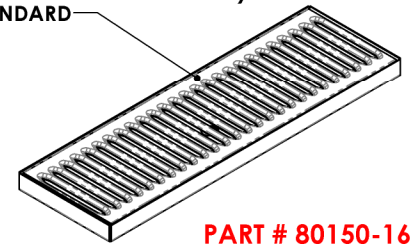


DRAIN



5/8-18 THREADED DRAIN FITTING

20 GA. LOUVER SCREEN\*  
 (3.50 X .50 ON .50 CENTERS)  
 STANDARD



**PART # 80150-16**

**NOTES:**

**ALL DIMENSIONS ARE INSIDE DIMENSIONS  
 (UNLESS OTHERWISE NOTED)**

**\* OPTIONAL 18 GA. PERFORATED SCREEN  
 AVAILABLE ON CUSTOM TRAYS**

PROPRIETARY AND CONFIDENTIAL

THE INFORMATION CONTAINED IN THIS DRAWING IS THE SOLE PROPERTY OF ACU PRECISION SHEET METAL. ANY REPRODUCTION IN PART OR AS A WHOLE WITHOUT THE WRITTEN PERMISSION OF ACU PRECISION SHEET METAL IS PROHIBITED.

ACU PRECISION SHEET METAL IS :  
 AMERICAN COFFEE URN MANUFACTURING CO., INC

	NAME	DATE
<b>DRAWN</b>	L. WILLIAMS	10/16
<b>MATERIAL</b>	18 GA. 304 STAINLESS STEEL	
<b>FINISH</b>	#8 POLISHED	

DO NOT SCALE DRAWING

TITLE:
<b>SM-D                  SURFACE MOUNT W/DRAIN                  5" X 16"</b>
<b>AMERICAN COFFEE URN</b>