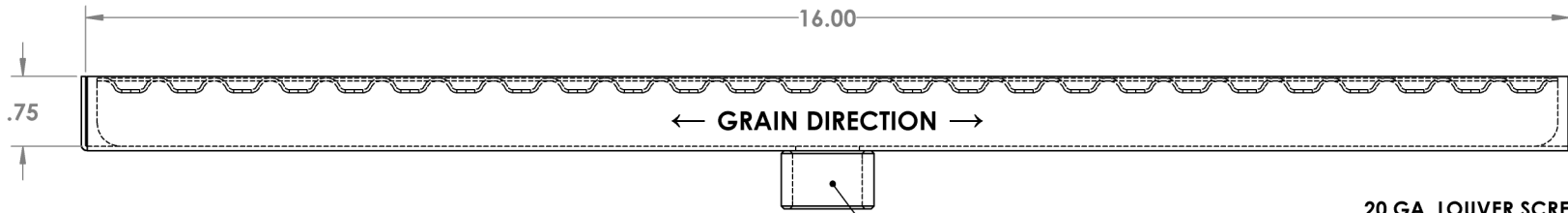
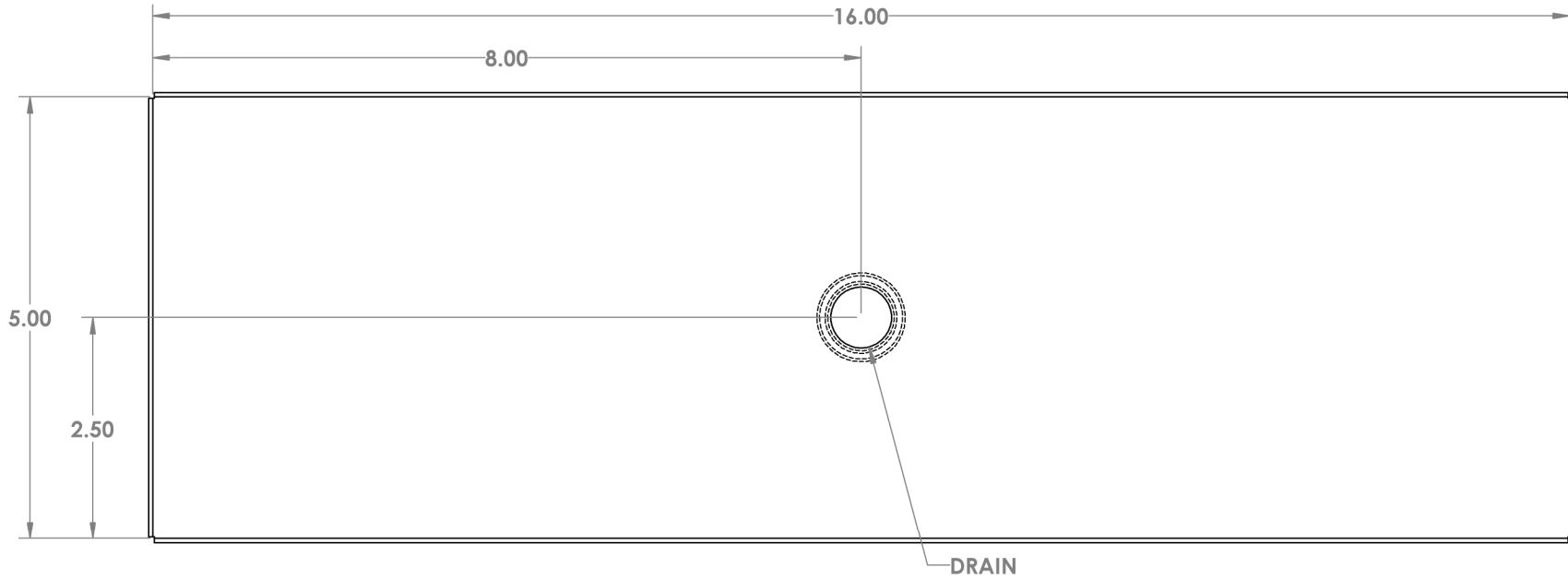
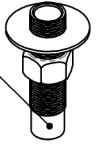


CHANGE DIMENSIONS AS NEEDED FOR CUSTOM TRAYS

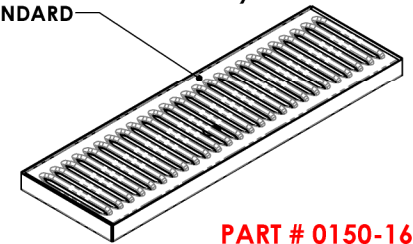
| | | REVISIONS | | | |
|------|------|-------------|------|----------|--|
| LINE | REV. | DESCRIPTION | DATE | APPROVED | |
| | | | | | |
| | | | | | |

Precision Sheet Metal
 Design ♦ Engineering ♦ Fabrication
 www.acumetalfab.com

5/8-18 X 3" LONG
 BRASS DRAIN W/HARDWARE



20 GA. LOUVER SCREEN*
 (3.50 X .50 ON .50 CENTERS)
 STANDARD



PART # 0150-16

NOTES:

**ALL DIMENSIONS ARE INSIDE DIMENSIONS
 (UNLESS OTHERWISE NOTED)**

*** OPTIONAL 18 GA. PERFORATED SCREEN
 AVAILABLE ON CUSTOM TRAYS**

PROPRIETARY AND CONFIDENTIAL

THE INFORMATION CONTAINED IN THIS DRAWING IS THE SOLE PROPERTY OF ACU PRECISION SHEET METAL. ANY REPRODUCTION IN PART OR AS A WHOLE WITHOUT THE WRITTEN PERMISSION OF ACU PRECISION SHEET METAL IS PROHIBITED.

ACU PRECISION SHEET METAL IS :
 AMERICAN COFFEE URN MANUFACTURING CO., INC

| | NAME | DATE |
|-----------------|----------------------------|-------|
| DRAWN | L. WILLIAMS | 10/16 |
| MATERIAL | 18 GA. 304 STAINLESS STEEL | |
| FINISH | #4 BRUSHED | |

| TITLE: |
|--|
| SM-D SURFACE MOUNT W/DRAIN 5" X 16" |
| AMERICAN COFFEE URN |