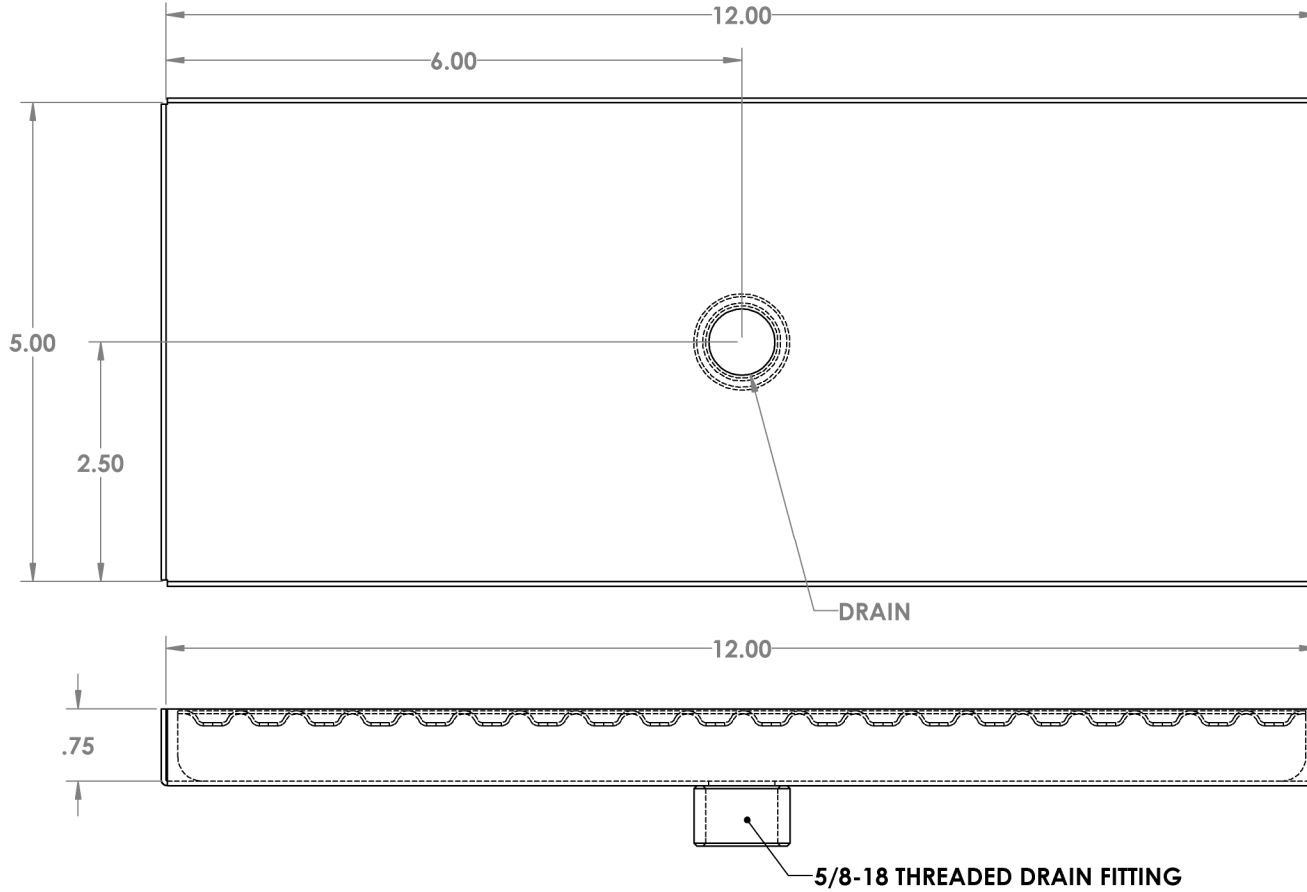


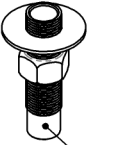
CHANGE DIMENSIONS AS NEEDED FOR CUSTOM TRAYS

REV. NO.		REVISIONS	DATE	APPROVED
DATE	DESCRIPTION			

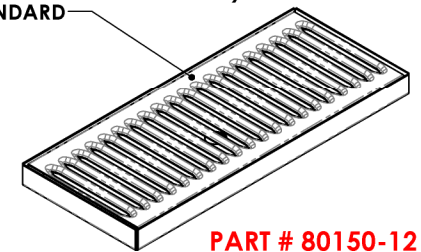
Precision Sheet Metal
 Design ♦ Engineering ♦ Fabrication
 www.acumetalfab.com



5/8-18 X 3" LONG BRASS DRAIN W/HARDWARE



20 GA. LOUVER SCREEN* (3.50 X .50 ON .50 CENTERS) STANDARD



NOTES:

ALL DIMENSIONS ARE INSIDE DIMENSIONS (UNLESS OTHERWISE NOTED)

*** OPTIONAL 18 GA. PERFORATED SCREEN AVAILABLE ON CUSTOM TRAYS**

PROPRIETARY AND CONFIDENTIAL

THE INFORMATION CONTAINED IN THIS DRAWING IS THE SOLE PROPERTY OF ACU PRECISION SHEET METAL. ANY REPRODUCTION IN PART OR AS A WHOLE WITHOUT THE WRITTEN PERMISSION OF ACU PRECISION SHEET METAL IS PROHIBITED.

ACU PRECISION SHEET METAL IS : AMERICAN COFFEE URN MANUFACTURING CO., INC

	NAME	DATE
DRAWN	L. WILLIAMS	10/16
MATERIAL	18 GA. 304 STAINLESS STEEL	
FINISH	#8 POLISHED	

TITLE:
SM-D SURFACE MOUNT W/DRAIN 5" X 12"
AMERICAN COFFEE URN