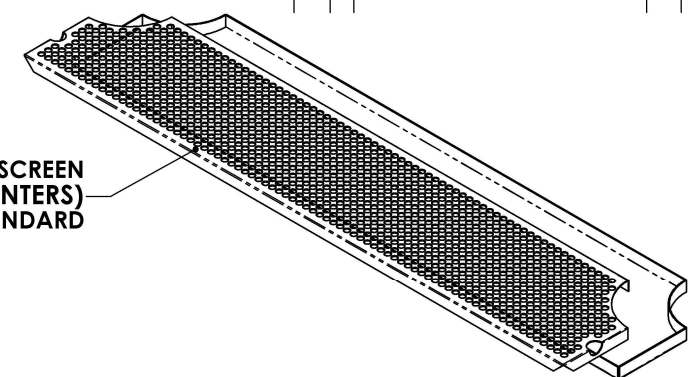
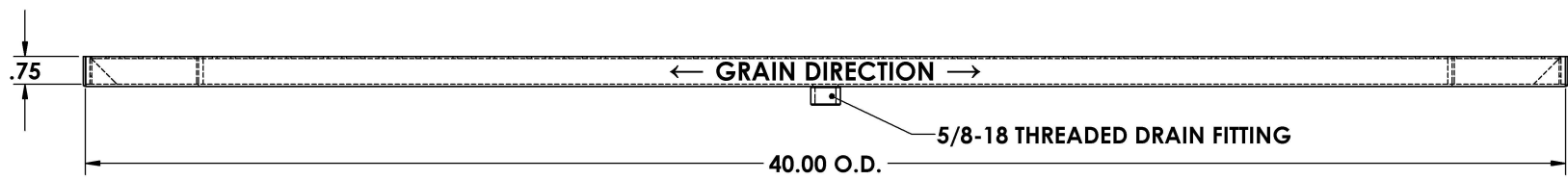
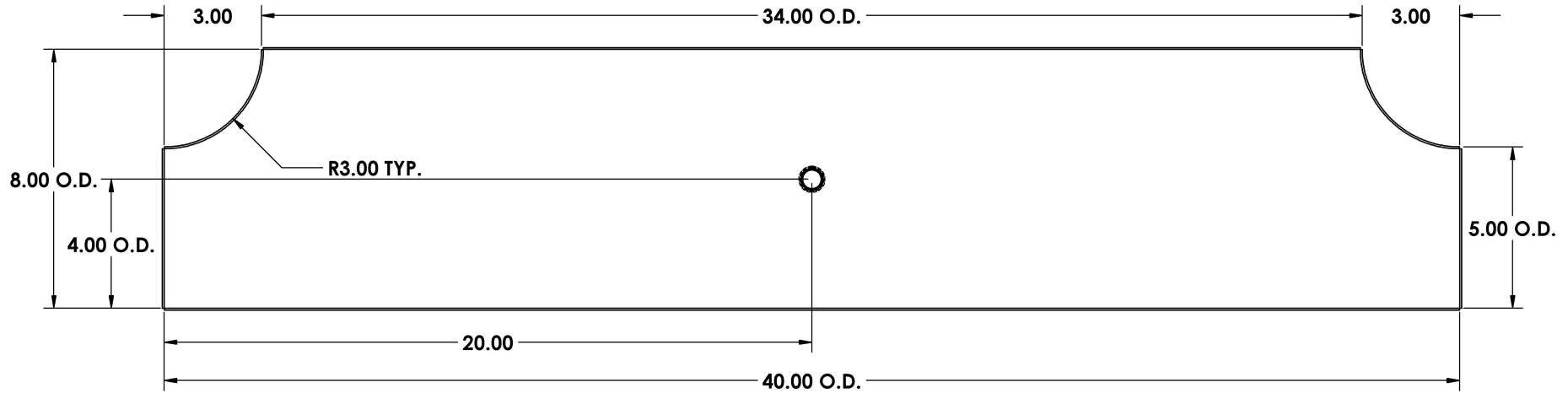


CHANGE DIMENSIONS AS NEEDED FOR CUSTOM TRAYS

REV. NO.		REVISIONS	DATE	APPROVED



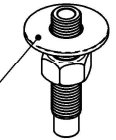
PERFORATED SCREEN
 (Ø .375 ON .50 CENTERS)
 STANDARD



← GRAIN DIRECTION →

5/8-18 THREADED DRAIN FITTING

5/8-18 X 3" LONG
 BRASS DRAIN
 W/HARDWARE



PART # 0171-40

NOTES:
 ALL DIMENSIONS ARE INSIDE DIMENSIONS
 (UNLESS OTHERWISE NOTED)

PROPRIETARY AND CONFIDENTIAL THE INFORMATION CONTAINED IN THIS DRAWING IS THE SOLE PROPERTY OF ACU PRECISION SHEET METAL. ANY REPRODUCTION IN PART OR AS A WHOLE WITHOUT THE WRITTEN PERMISSION OF ACU PRECISION SHEET METAL IS PROHIBITED. ACU PRECISION SHEET METAL IS : AMERICAN COFFEE URN MANUFACTURING CO., INC	NAME	DATE	TITLE: METRO PASS THROUGH SURFACE MOUNT W/DRAIN 8 X 40 W/6" CUTOUTS
	DRAWN	L. WILLIAMS	
	MATERIAL	16 GA. 304 STAINLESS STEEL	
FINISH	#4 BRUSHED		
DO NOT SCALE DRAWING			