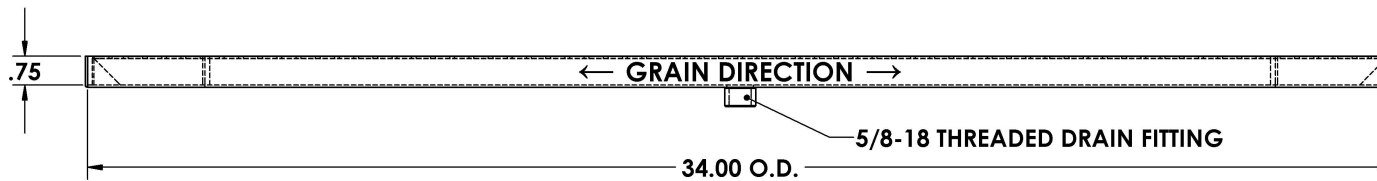
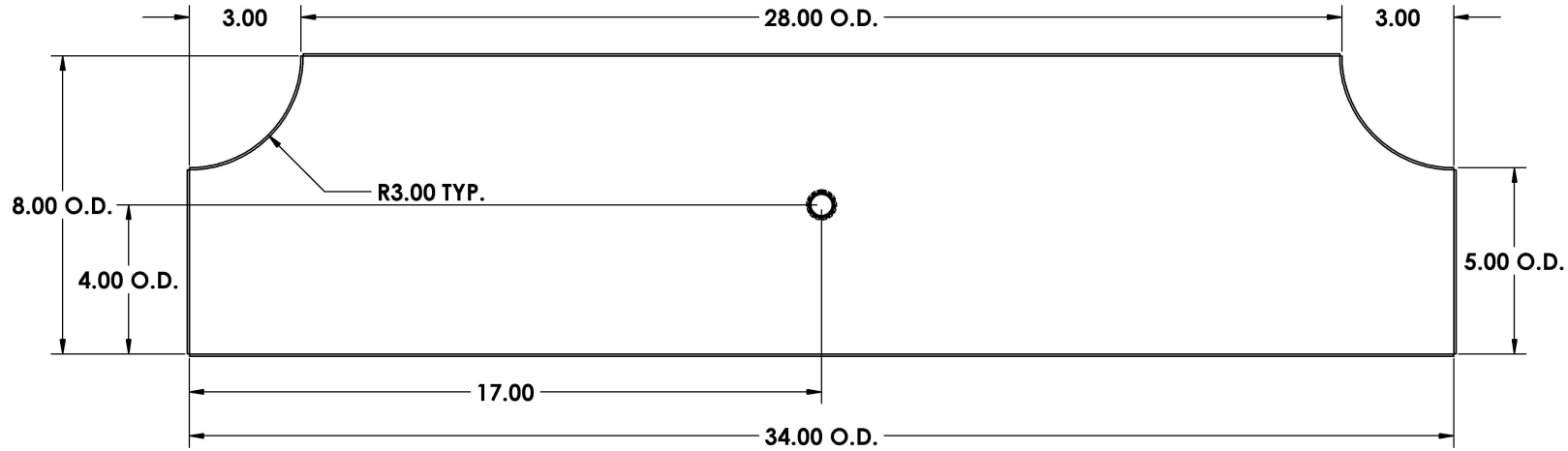
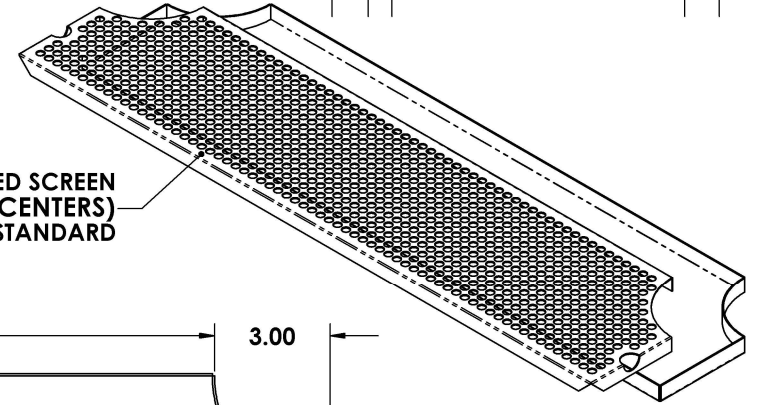
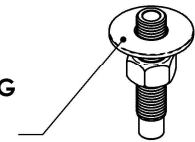


**CHANGE DIMENSIONS AS NEEDED FOR CUSTOM TRAYS**

REV. NO.		REVISIONS	DATE	APPROVED



**5/8-18 X 3" LONG  
 BRASS DRAIN  
 W/HARDWARE**



**PART # 0171-34**

**NOTES:**

**ALL DIMENSIONS ARE INSIDE DIMENSIONS  
 (UNLESS OTHERWISE NOTED)**

**PROPRIETARY AND CONFIDENTIAL**

THE INFORMATION CONTAINED IN THIS DRAWING IS THE SOLE PROPERTY OF ACU PRECISION SHEET METAL. ANY REPRODUCTION IN PART OR AS A WHOLE WITHOUT THE WRITTEN PERMISSION OF ACU PRECISION SHEET METAL IS PROHIBITED.

ACU PRECISION SHEET METAL IS :  
 AMERICAN COFFEE URN MANUFACTURING CO., INC

	NAME	DATE
<b>DRAWN</b>	L. WILLIAMS	06/21
<b>MATERIAL</b>	16 GA. 304 STAINLESS STEEL	
<b>FINISH</b>	#4 BRUSHED	

TITLE:
<b>METRO PASS THROUGH              SURFACE MOUNT W/DRAIN              8 X 34 W/6" CUTOUTS</b>
<b>AMERICAN COFFEE URN</b>