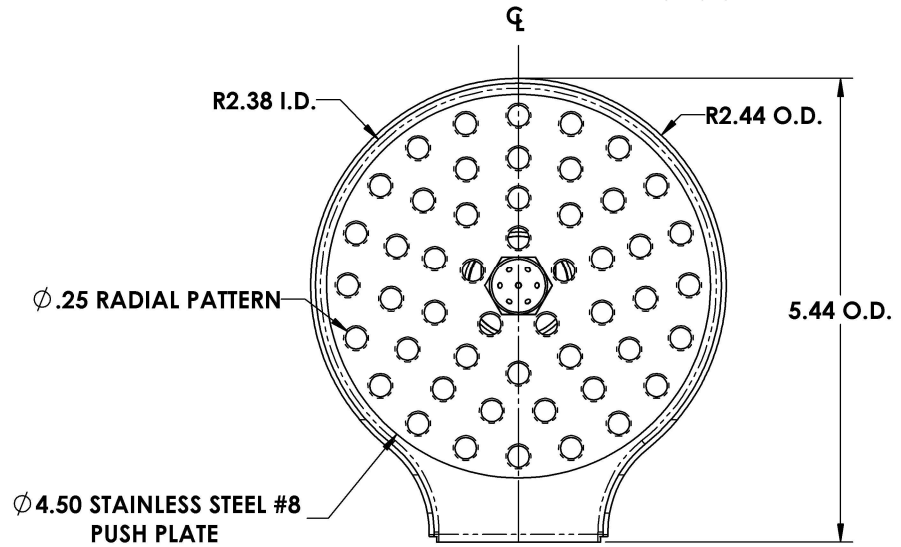
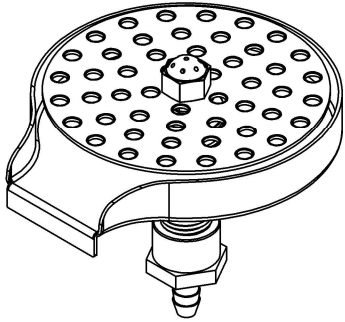
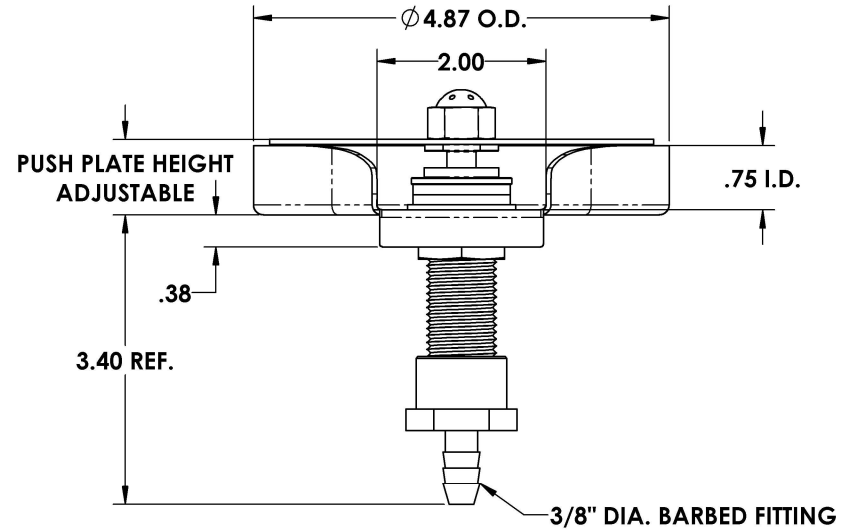
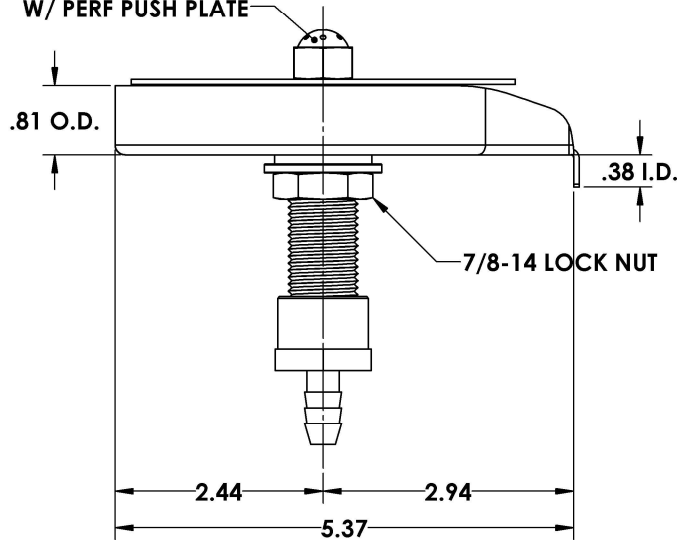


| REV. NO. |  | REVISIONS | DATE | APPROVED |
|----------|--|-----------|------|----------|
|          |  |           |      |          |
|          |  |           |      |          |
|          |  |           |      |          |



ACU# 80099  
 #8 GLASS RINSER  
 W/ PERF PUSH PLATE



**PART # 80094**

**NOTES:**

ALL DIMENSIONS ARE INSIDE DIMENSIONS  
 (UNLESS OTHERWISE NOTED)

[www.acumetalfab.com](http://www.acumetalfab.com)

**PROPRIETARY AND CONFIDENTIAL**

THE INFORMATION CONTAINED IN THIS DRAWING IS THE SOLE PROPERTY OF ACU PRECISION SHEET METAL. ANY REPRODUCTION IN PART OR AS A WHOLE WITHOUT THE WRITTEN PERMISSION OF ACU PRECISION SHEET METAL IS PROHIBITED.

ACU PRECISION SHEET METAL IS :  
 AMERICAN COFFEE URN MANUFACTURING CO., INC

|                 | NAME                       | DATE  | TITLE:   |
|-----------------|----------------------------|-------|--|
| <b>DRAWN</b>    | L. WILLIAMS                | 06/20 | <b>KITCHEN RINSER<br/>                 SS #8 RINSER PAN<br/>                 W/ SS #8 PUSH PLATE</b> |
| <b>MATERIAL</b> | 16 GA. 304 STAINLESS STEEL |       |  |
| <b>FINISH</b>   | #8 POLISHED                |       |  |
|                 |                            |       | <b>AMERICAN COFFEE URN</b>   |

DO NOT SCALE DRAWING