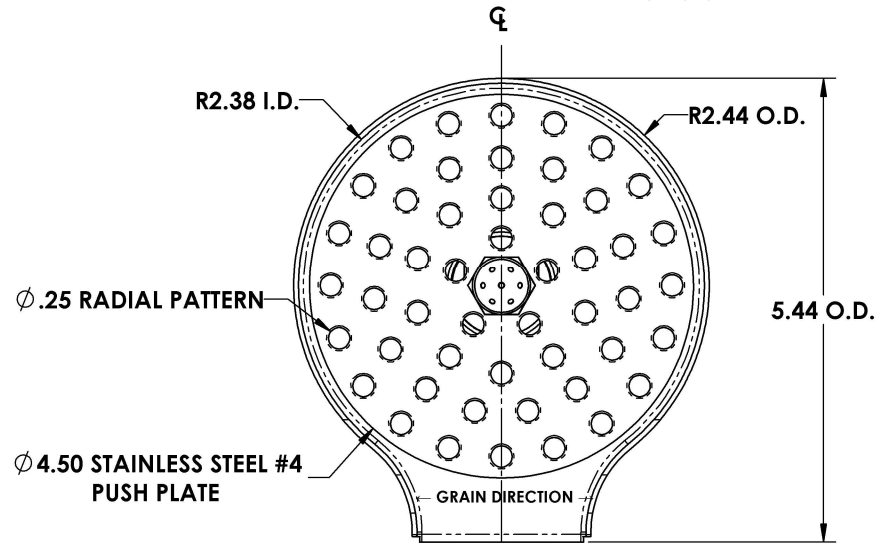
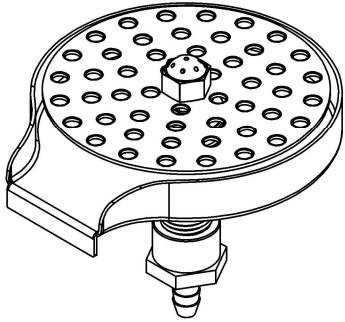
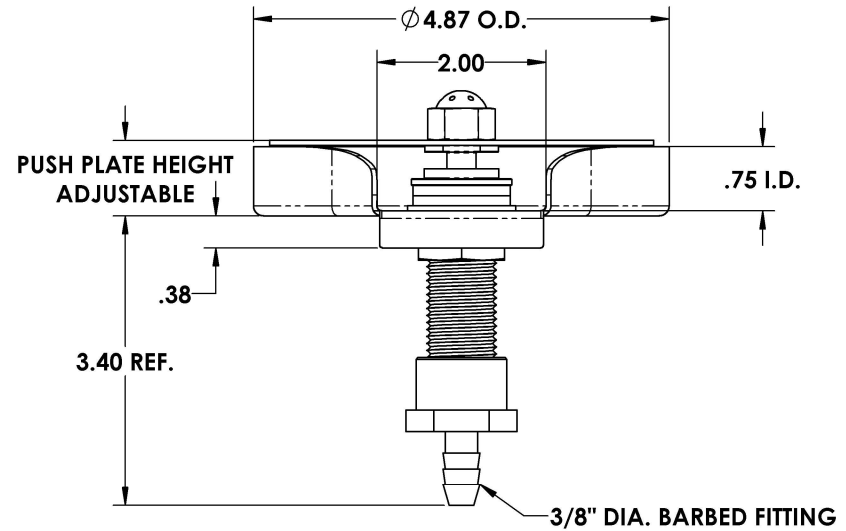
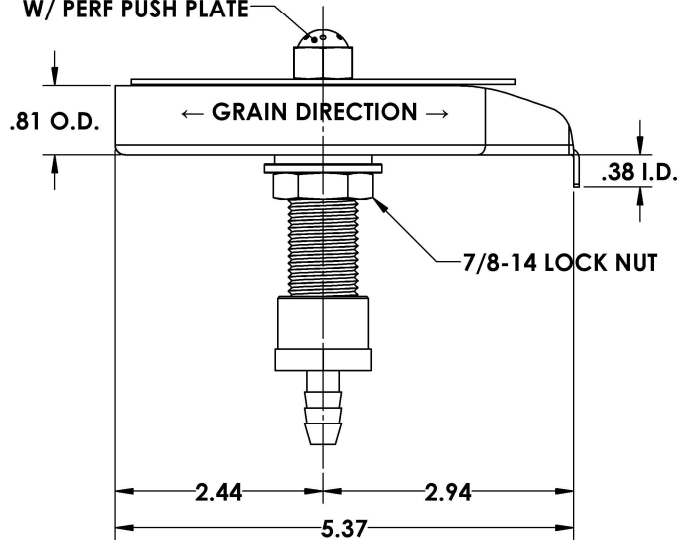


REV. NO.		REVISIONS	DATE	APPROVED



ACU# 40099
 #4 GLASS RINSER
 W/ PERF PUSH PLATE



PART # 40094

NOTES:

ALL DIMENSIONS ARE INSIDE DIMENSIONS
 (UNLESS OTHERWISE NOTED)

www.acumetalfab.com

PROPRIETARY AND CONFIDENTIAL

THE INFORMATION CONTAINED IN THIS DRAWING IS THE SOLE PROPERTY OF ACU PRECISION SHEET METAL. ANY REPRODUCTION IN PART OR AS A WHOLE WITHOUT THE WRITTEN PERMISSION OF ACU PRECISION SHEET METAL IS PROHIBITED.

ACU PRECISION SHEET METAL IS:
 AMERICAN COFFEE URN MANUFACTURING CO., INC

	NAME	DATE	TITLE:
DRAWN	L. WILLIAMS	06/20	KITCHEN RINSER SS #4 RINSER PAN W/ SS #4 PUSH PLATE
MATERIAL	16 GA. 304 STAINLESS STEEL		
FINISH	#4 BRUSHED		
			AMERICAN COFFEE URN

DO NOT SCALE DRAWING