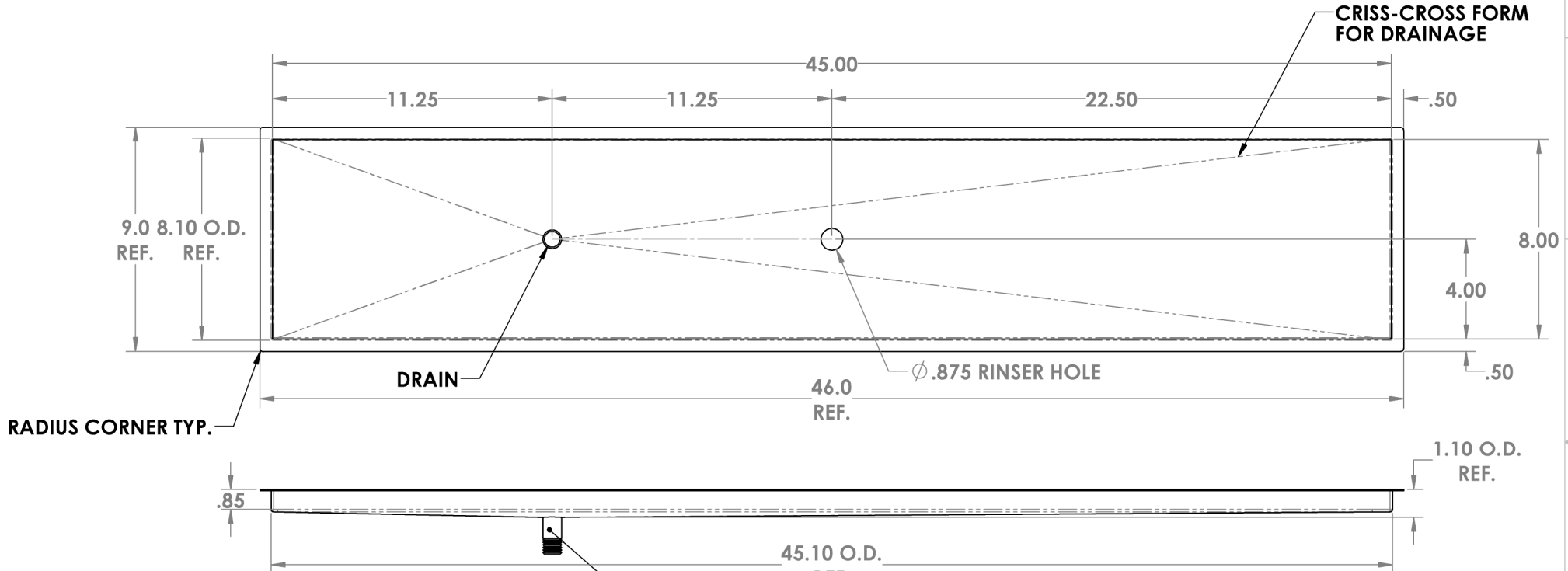


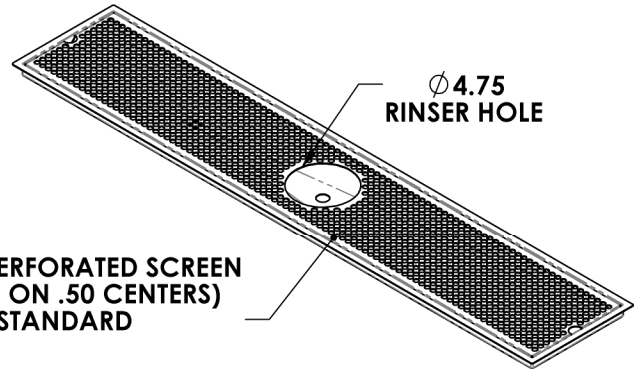
CHANGE DIMENSIONS AS NEEDED FOR CUSTOM TRAYS

| ZONE | REV. | REVISIONS | | DATE | APPROVED |
|------|------|-------------|--|------|----------|
| | | DESCRIPTION | | | |
| | | | | | |
| | | | | | |

Precision Sheet Metal
 Design ♦ Engineering ♦ Fabrication
 www.acumetalfab.com



**1/2" X 1 1/2" LONG
 NPT PIPE THREAD**



NOTES:

**ALL DIMENSIONS ARE INSIDE DIMENSIONS
 (UNLESS OTHERWISE NOTED)**

***RINSER HARDWARE NOT INCLUDED : SOLD SEPARATELY**

PART # 80708-45-9

PROPRIETARY AND CONFIDENTIAL
 THE INFORMATION CONTAINED IN THIS
 DRAWING IS THE SOLE PROPERTY OF
 ACU PRECISION SHEET METAL. ANY
 REPRODUCTION IN PART OR AS A WHOLE
 WITHOUT THE WRITTEN PERMISSION OF
 ACU PRECISION SHEET METAL IS
 PROHIBITED.
 AMERICAN COFFEE URN MANUFACTURING CO., INC

| | NAME | DATE |
|-----------------|----------------------------|-------|
| DRAWN | L. WILLIAMS | 05/17 |
| MATERIAL | 18 GA. 304 STAINLESS STEEL | |
| FINISH | #8 POLISHED | |

| TITLE: |
|--------------------------------------------------------------------------------------------------------------------------|
| FM-R-OD FLUSH MOUNT W/RINSER HOLE* & OFFSET DRAIN 8" X 45" |
| AMERICAN COFFEE URN |