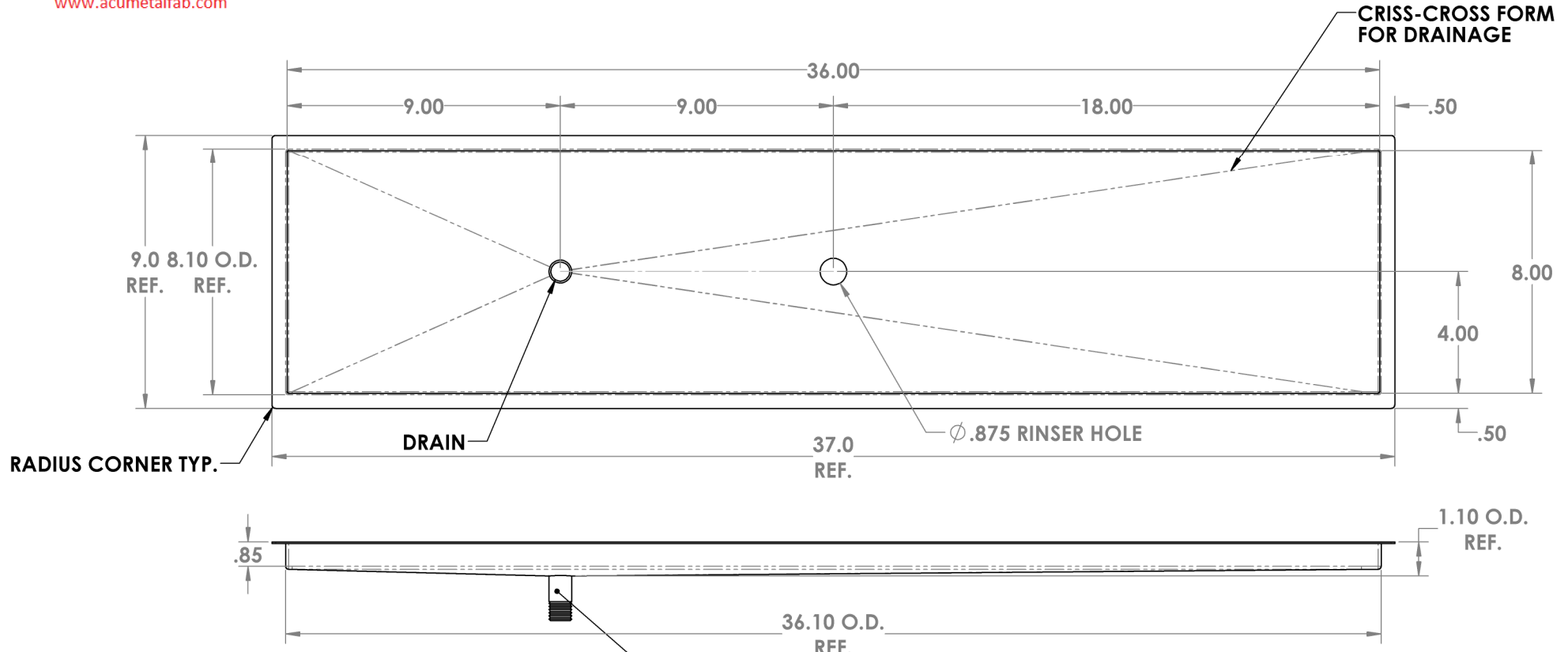


CHANGE DIMENSIONS AS NEEDED FOR CUSTOM TRAYS

REV. NO.		DESCRIPTION	DATE	APPROVED

Precision Sheet Metal
 Design ♦ Engineering ♦ Fabrication
 www.acumetalfab.com



RADIUS CORNER TYP.

DRAIN

37.0 REF.

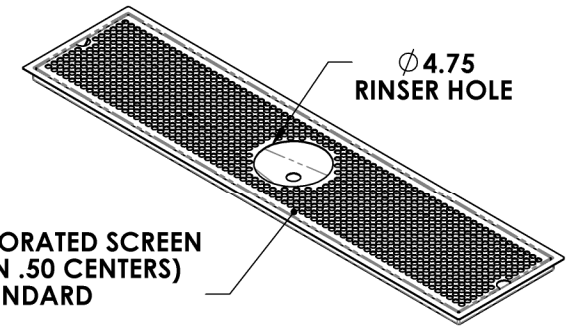
Ø .875 RINSER HOLE

CRISS-CROSS FORM FOR DRAINAGE

1/2" X 1 1/2" LONG
 NPT PIPE THREAD

36.10 O.D.
 REF.

1.10 O.D.
 REF.



18 GA. PERFORATED SCREEN
 (Ø .375 ON .50 CENTERS)
 STANDARD

Ø 4.75
 RINSER HOLE

PART # 80708-36-9

NOTES:

ALL DIMENSIONS ARE INSIDE DIMENSIONS
 (UNLESS OTHERWISE NOTED)

*RINSER HARDWARE NOT INCLUDED : SOLD SEPARATELY

PROPRIETARY AND CONFIDENTIAL

THE INFORMATION CONTAINED IN THIS DRAWING IS THE SOLE PROPERTY OF ACU PRECISION SHEET METAL. ANY REPRODUCTION IN PART OR AS A WHOLE WITHOUT THE WRITTEN PERMISSION OF ACU PRECISION SHEET METAL IS PROHIBITED.

ACU PRECISION SHEET METAL IS :
 AMERICAN COFFEE URN MANUFACTURING CO., INC

	NAME	DATE
DRAWN	L. WILLIAMS	05/17
MATERIAL	18 GA. 304 STAINLESS STEEL	
FINISH	#8 POLISHED	

DO NOT SCALE DRAWING

TITLE:
FM-R-OD FLUSH MOUNT W/RINSER HOLE* & OFFSET DRAIN 8" X 36"
AMERICAN COFFEE URN