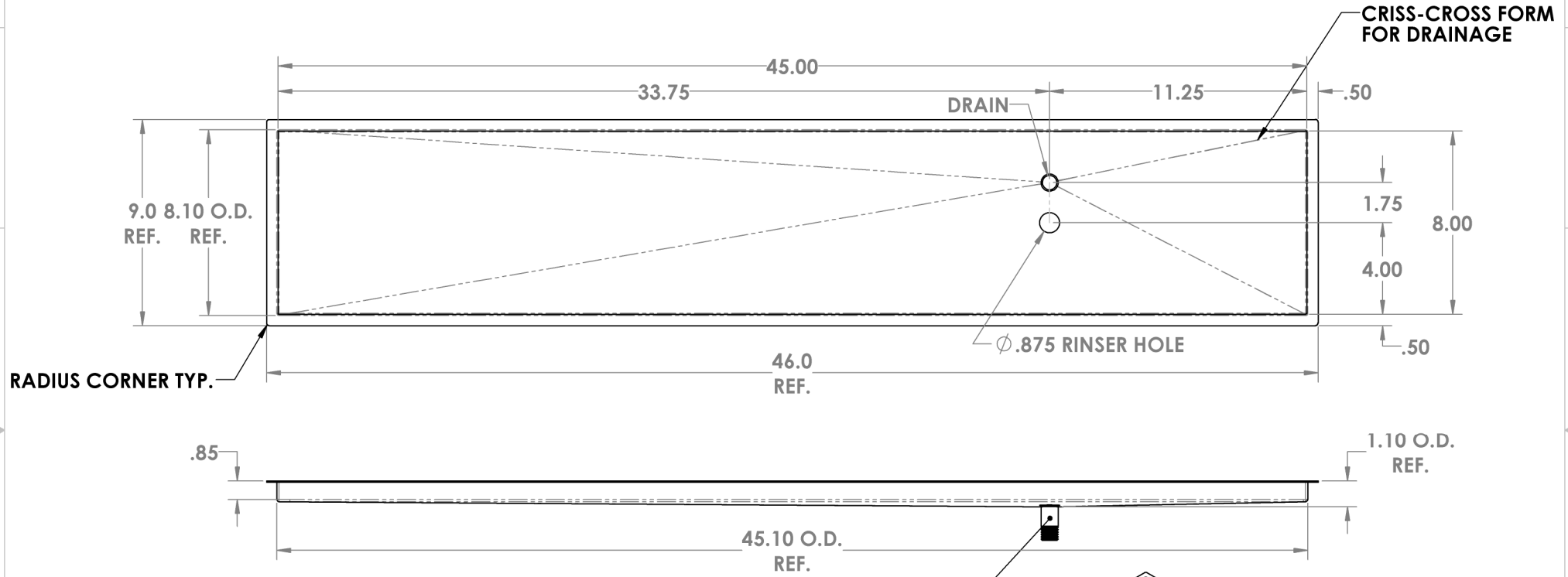


CHANGE DIMENSIONS AS NEEDED FOR CUSTOM TRAYS

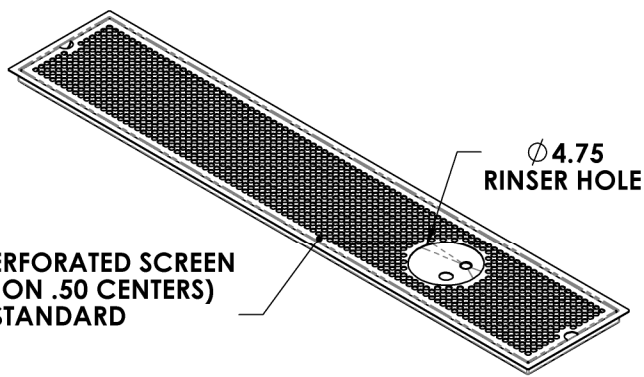
REV. NO.		REVISIONS	DATE	APPROVED
		DESCRIPTION		

Precision Sheet Metal
 Design ♦ Engineering ♦ Fabrication
 www.acumetalfab.com



**1/2" X 1 1/2" LONG
 NPT PIPE THREAD**

**16 GA. PERFORATED SCREEN
 (Ø .375 ON .50 CENTERS)
 STANDARD**



PART # 0708-45-8

NOTES:
 ALL DIMENSIONS ARE INSIDE DIMENSIONS
 (UNLESS OTHERWISE NOTED)

***RINSER HARDWARE NOT INCLUDED : SOLD SEPARATELY**

PROPRIETARY AND CONFIDENTIAL THE INFORMATION CONTAINED IN THIS DRAWING IS THE SOLE PROPERTY OF ACU PRECISION SHEET METAL. ANY REPRODUCTION IN PART OR AS A WHOLE WITHOUT THE WRITTEN PERMISSION OF ACU PRECISION SHEET METAL IS PROHIBITED. ACU PRECISION SHEET METAL IS : AMERICAN COFFEE URN MANUFACTURING CO., INC		NAME L. WILLIAMS	DATE 05/17	TITLE: FM-RDR FLUSH MOUNT W/RIGHT DRAIN & RINSER HOLE* 8" X 45"
DRAWN	MATERIAL 16 GA. BRASS		AMERICAN COFFEE URN	
FINISH #8 POLISHED	DO NOT SCALE DRAWING			