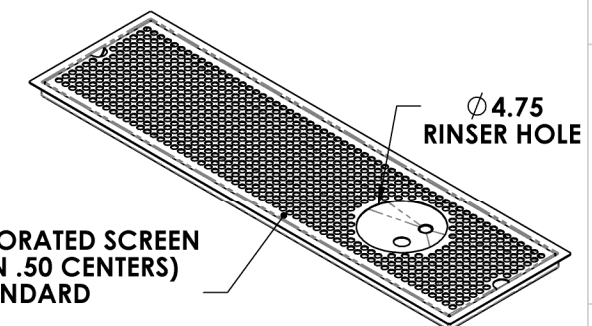
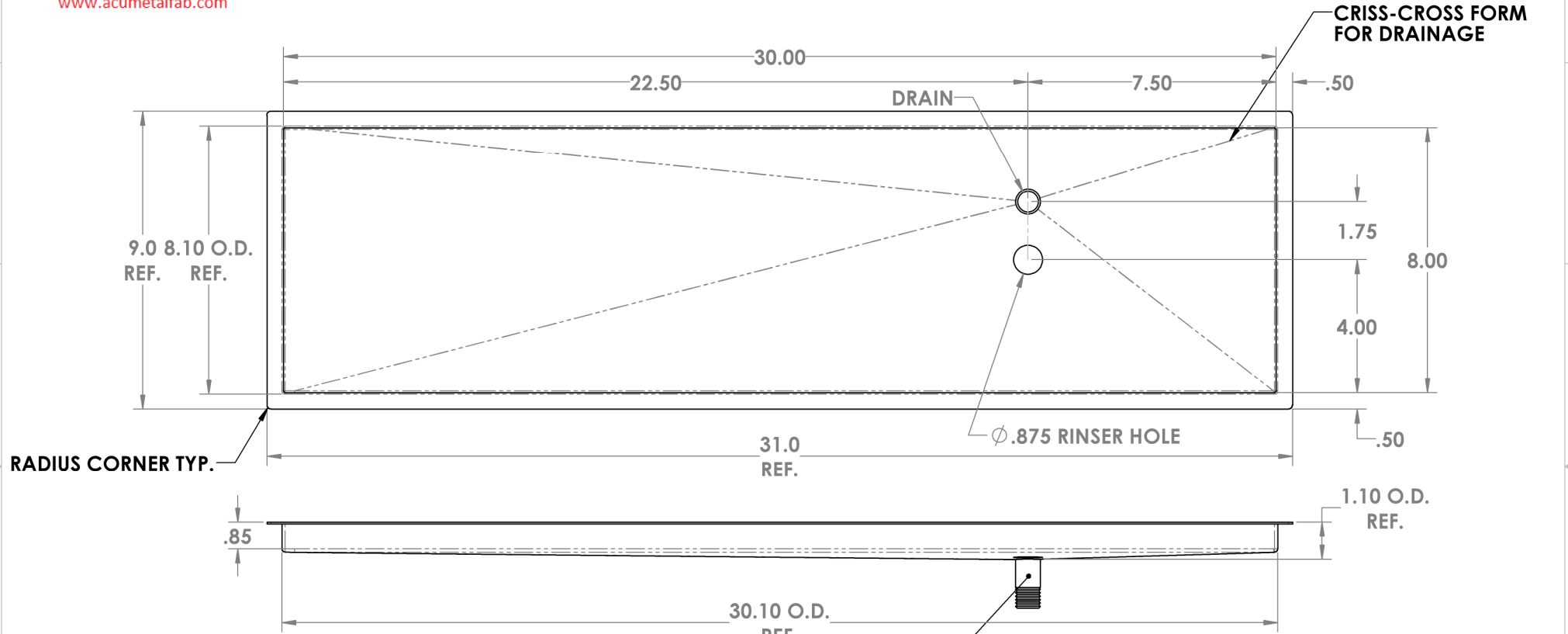


**CHANGE DIMENSIONS AS NEEDED FOR CUSTOM TRAYS**

| REV. NO. |  | DESCRIPTION | DATE | APPROVED |
|----------|--|-------------|------|----------|
|          |  |             |      |          |
|          |  |             |      |          |

**Precision Sheet Metal**  
 Design ♦ Engineering ♦ Fabrication  
 www.acumetalfab.com



**NOTES:**

ALL DIMENSIONS ARE INSIDE DIMENSIONS (UNLESS OTHERWISE NOTED)

\*RINSER HARDWARE NOT INCLUDED : SOLD SEPARATELY

PROPRIETARY AND CONFIDENTIAL  
 THE INFORMATION CONTAINED IN THIS DRAWING IS THE SOLE PROPERTY OF ACU PRECISION SHEET METAL. ANY REPRODUCTION IN PART OR AS A WHOLE WITHOUT THE WRITTEN PERMISSION OF ACU PRECISION SHEET METAL IS PROHIBITED.  
 AMERICAN COFFEE URN MANUFACTURING CO., INC

|          | NAME                       | DATE  |
|----------|----------------------------|-------|
| DRAWN    | L. WILLIAMS                | 05/17 |
| MATERIAL | 18 GA. 304 STAINLESS STEEL |       |
| FINISH   | #8 POLISHED                |       |

| TITLE:  |
|---|
| <b>FM-RDR<br/>FLUSH MOUNT W/RIGHT<br/>DRAIN &amp; RINSER HOLE*<br/>8" X 30"</b> |
| <b>AMERICAN COFFEE URN</b>  |

**PART # 80708-30-8**