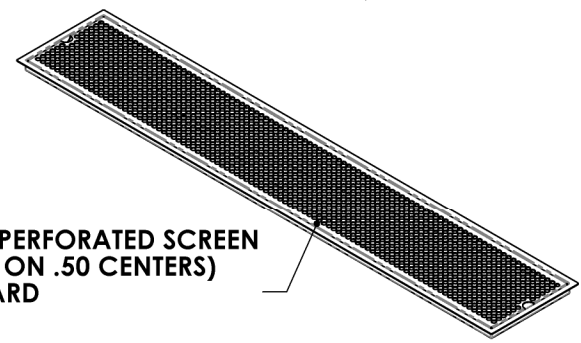
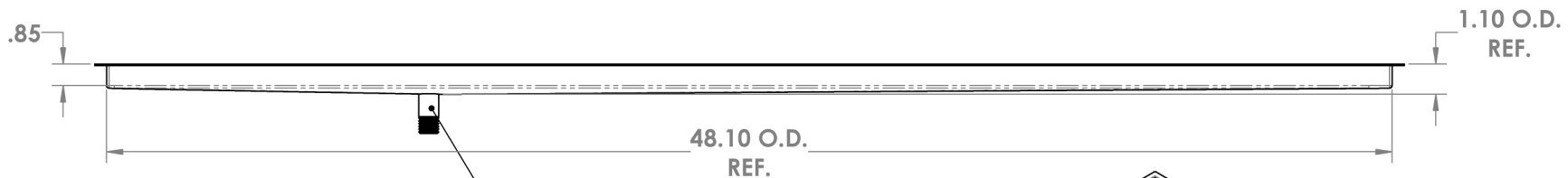
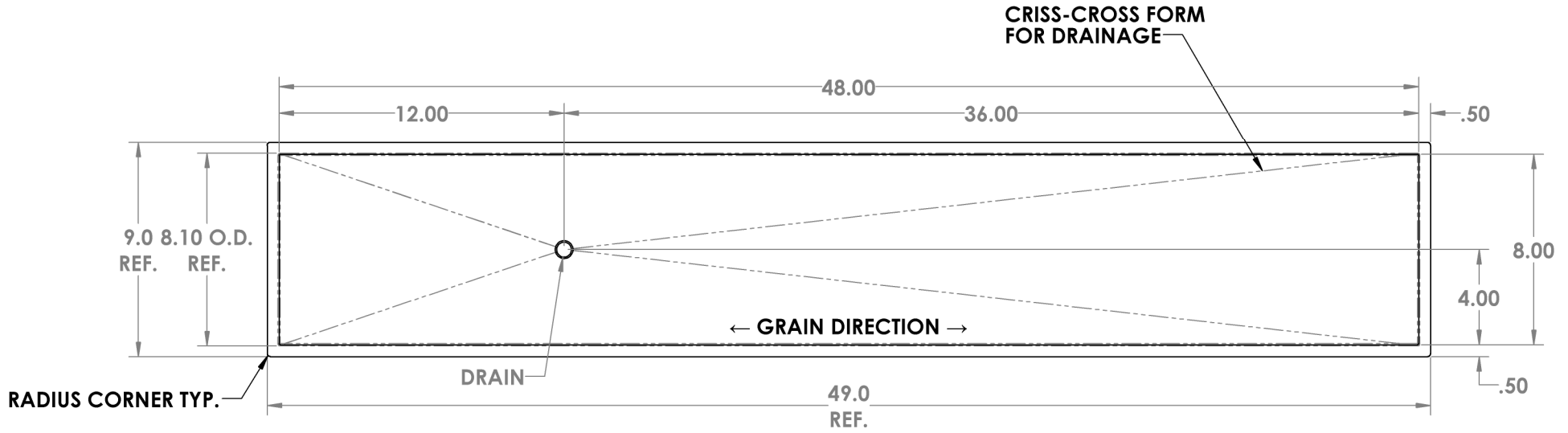


CHANGE DIMENSIONS AS NEEDED FOR CUSTOM TRAYS

| REV. NO. | | DESCRIPTION | DATE | APPROVED |
|----------|--|-------------|------|----------|
| | | | | |
| | | | | |
| | | | | |

Precision Sheet Metal
 Design ♦ Engineering ♦ Fabrication
 www.acumetalfab.com



NOTES:
 ALL DIMENSIONS ARE INSIDE DIMENSIONS
 (UNLESS OTHERWISE NOTED)

PART # 0208-48-1

| | | | | |
|---|----------|----------------------------|--|-------|
| PROPRIETARY AND CONFIDENTIAL THE INFORMATION CONTAINED IN THIS DRAWING IS THE SOLE PROPERTY OF ACU PRECISION SHEET METAL. ANY REPRODUCTION IN PART OR AS A WHOLE WITHOUT THE WRITTEN PERMISSION OF ACU PRECISION SHEET METAL IS PROHIBITED. AMERICAN COFFEE URN MANUFACTURING CO., INC. | NAME | DATE | TITLE: FM-OD FLUSH MOUNT W/OFFSET DRAIN 8" X 48" AMERICAN COFFEE URN | |
| | DRAWN | L. WILLIAMS | | 05/17 |
| | MATERIAL | 18 GA. 304 STAINLESS STEEL | | |
| | FINISH | #4 BRUSHED | | |
| DO NOT SCALE DRAWING | | | | |