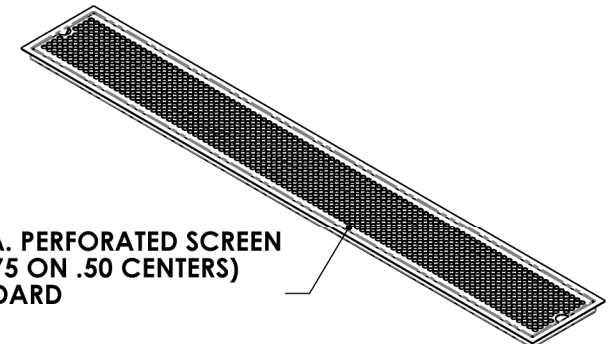
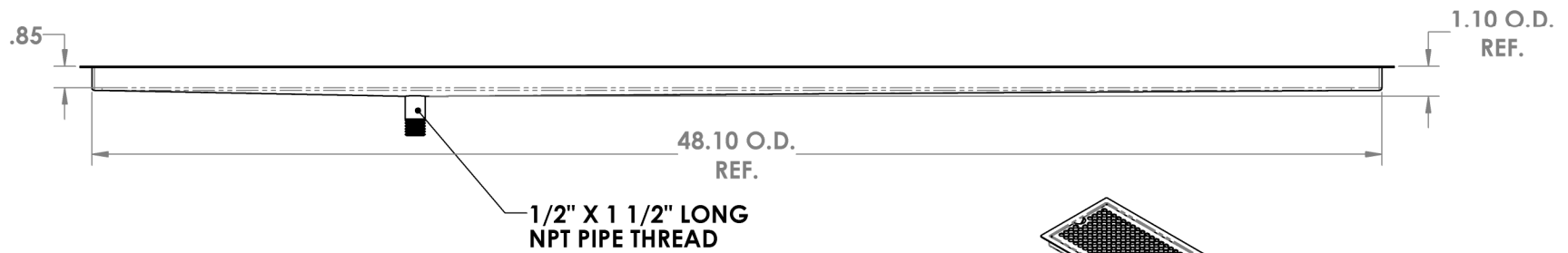
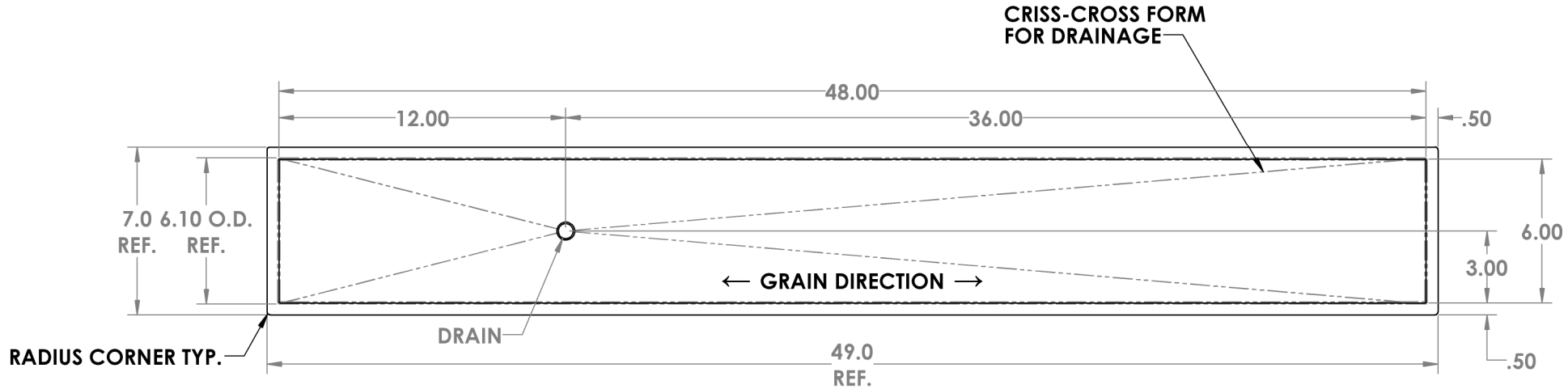


**CHANGE DIMENSIONS AS NEEDED FOR CUSTOM TRAYS**

		REVISIONS			
IONE	REV.	DESCRIPTION	DATE	APPROVED	

**Precision Sheet Metal**  
 Design ♦ Engineering ♦ Fabrication  
 www.acumetalfab.com



**NOTES:**  
 ALL DIMENSIONS ARE INSIDE DIMENSIONS  
 (UNLESS OTHERWISE NOTED)

**PART # 0206-48-1**

PROPRIETARY AND CONFIDENTIAL		NAME	DATE	TITLE:
THE INFORMATION CONTAINED IN THIS DRAWING IS THE SOLE PROPERTY OF ACU PRECISION SHEET METAL. ANY REPRODUCTION IN PART OR AS A WHOLE WITHOUT THE WRITTEN PERMISSION OF ACU PRECISION SHEET METAL IS PROHIBITED.		L. WILLIAMS	05/17	<b>FM-OD FLUSH MOUNT W/OFFSET DRAIN 6" X 48"</b>
DRAWN	MATERIAL	FINISH		AMERICAN COFFEE URN
	18 GA. 304 STAINLESS STEEL	#4 BRUSHED		
AMERICAN COFFEE URN MANUFACTURING CO., INC		DO NOT SCALE DRAWING		