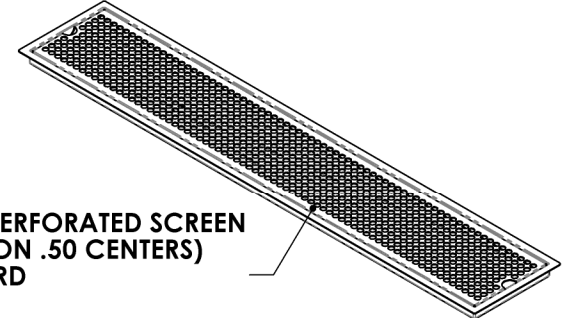
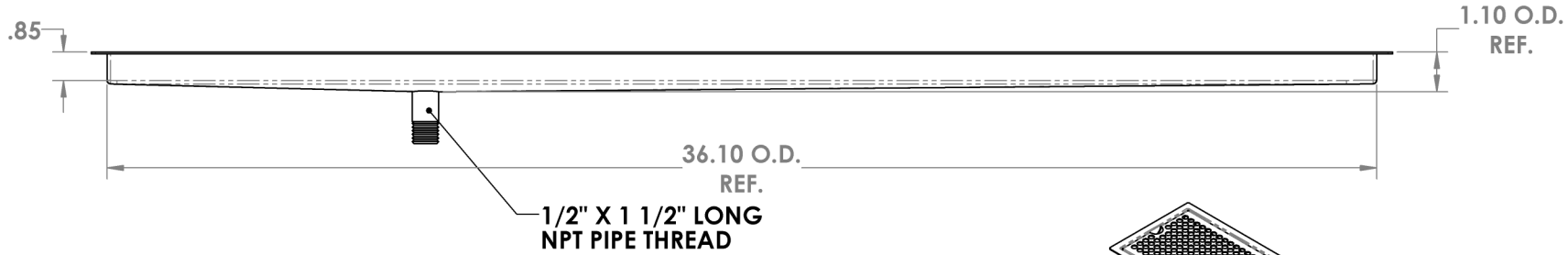
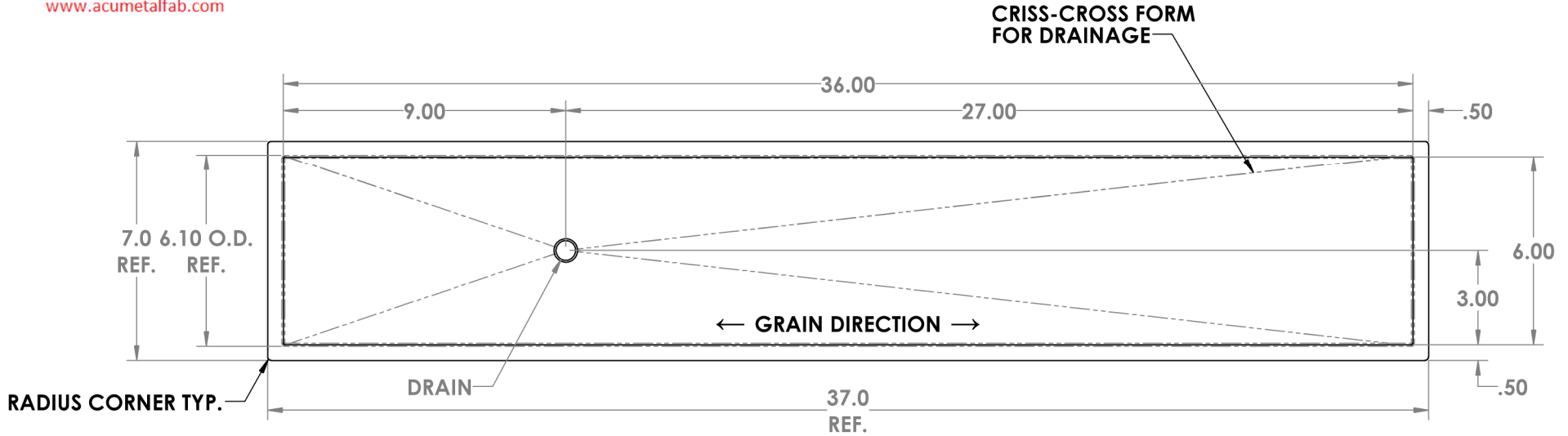


CHANGE DIMENSIONS AS NEEDED FOR CUSTOM TRAYS

REV. NO.		DESCRIPTION	DATE	APPROVED

Precision Sheet Metal
 Design ♦ Engineering ♦ Fabrication
 www.acumetalfab.com



NOTES:
 ALL DIMENSIONS ARE INSIDE DIMENSIONS
 (UNLESS OTHERWISE NOTED)

PART # 0206-36-1

PROPRIETARY AND CONFIDENTIAL THE INFORMATION CONTAINED IN THIS DRAWING IS THE SOLE PROPERTY OF ACU PRECISION SHEET METAL. ANY REPRODUCTION IN PART OR AS A WHOLE WITHOUT THE WRITTEN PERMISSION OF ACU PRECISION SHEET METAL IS PROHIBITED. AMERICAN COFFEE URN MANUFACTURING CO., INC.	NAME	DATE	TITLE: FM-OD FLUSH MOUNT W/OFFSET DRAIN 6" X 36" AMERICAN COFFEE URN	
	DRAWN	L. WILLIAMS		05/17
	MATERIAL	18 GA. 304 STAINLESS STEEL		
	FINISH	#4 BRUSHED		
DO NOT SCALE DRAWING				