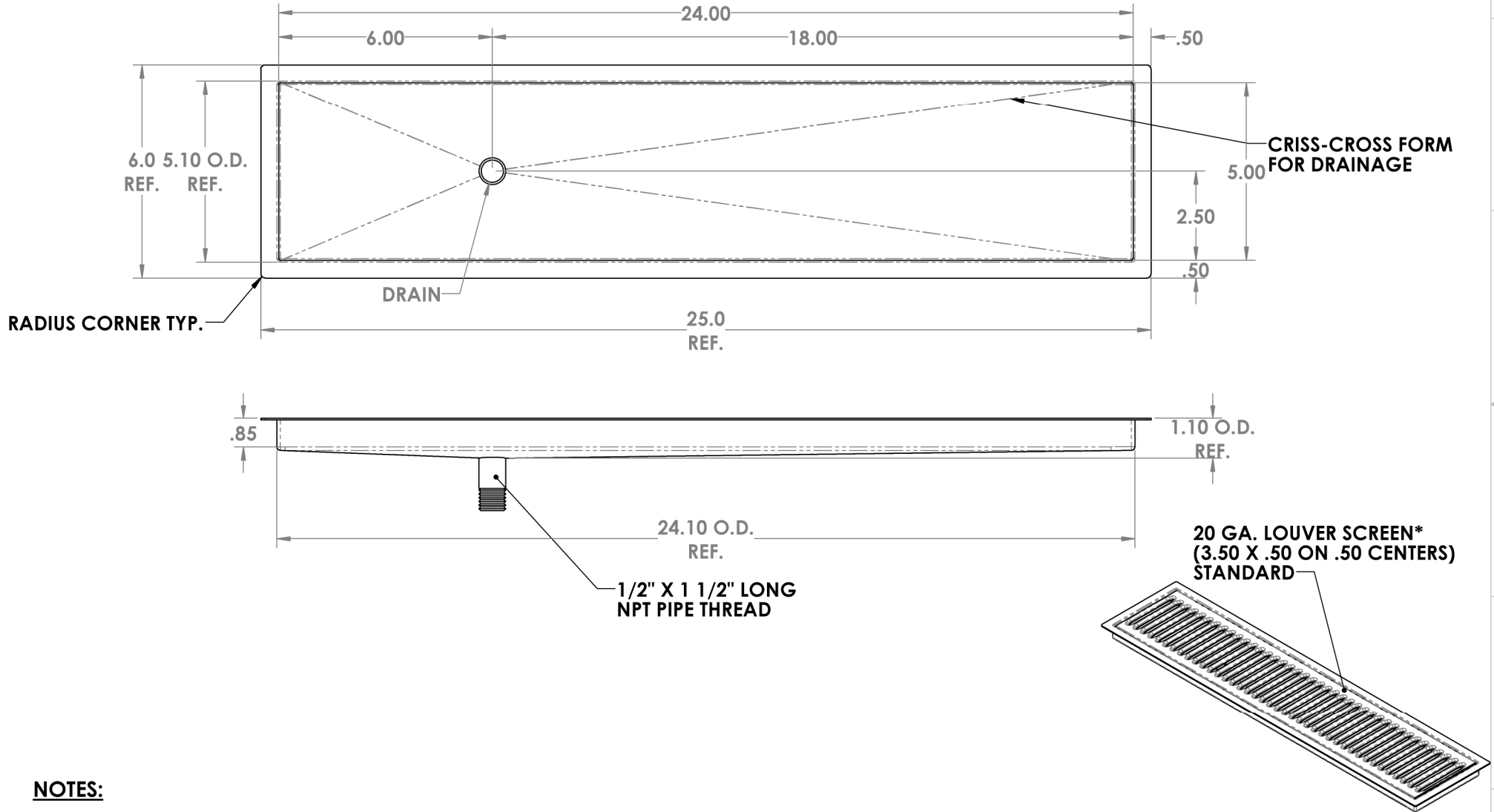


CHANGE DIMENSIONS AS NEEDED FOR CUSTOM TRAYS

| REV. NO. | | REVISIONS | DATE | APPROVED |
|----------|--|-----------|------|----------|
| | | | | |
| | | | | |

Precision Sheet Metal
 Design ♦ Engineering ♦ Fabrication
 www.acumetalfab.com



NOTES:
 ALL DIMENSIONS ARE INSIDE DIMENSIONS
 (UNLESS OTHERWISE NOTED)

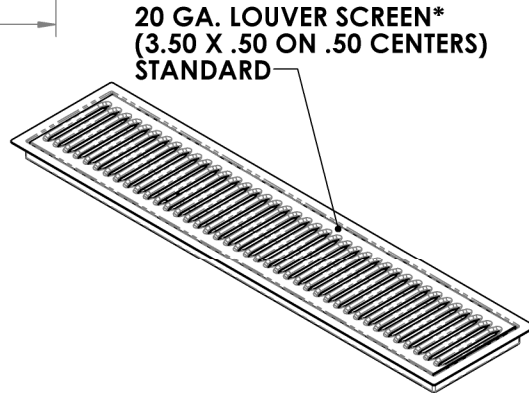
* OPTIONAL 18 GA. PERFORATED SCREEN
 AVAILABLE ON CUSTOM TRAYS

www.acumetalfab.com

PROPRIETARY AND CONFIDENTIAL
 THE INFORMATION CONTAINED IN THIS
 DRAWING IS THE SOLE PROPERTY OF
 ACU PRECISION SHEET METAL. ANY
 REPRODUCTION IN PART OR AS A WHOLE
 WITHOUT THE WRITTEN PERMISSION OF
 ACU PRECISION SHEET METAL IS
 PROHIBITED.
 AMERICAN COFFEE URN MANUFACTURING CO., INC

| | | | |
|-----------------|----------------------------|-------|--|
| | NAME | DATE | TITLE: |
| DRAWN | L. WILLIAMS | 05/17 | FM-OD FLUSH MOUNT W/OFFSET DRAIN 5" X 24" |
| MATERIAL | 18 GA. 304 STAINLESS STEEL | | AMERICAN COFFEE URN |
| FINISH | #8 POLISHED | | |

PART # 80700-24-1



**20 GA. LOUVER SCREEN*
 (3.50 X .50 ON .50 CENTERS)
 STANDARD**

**1/2" X 1 1/2" LONG
 NPT PIPE THREAD**