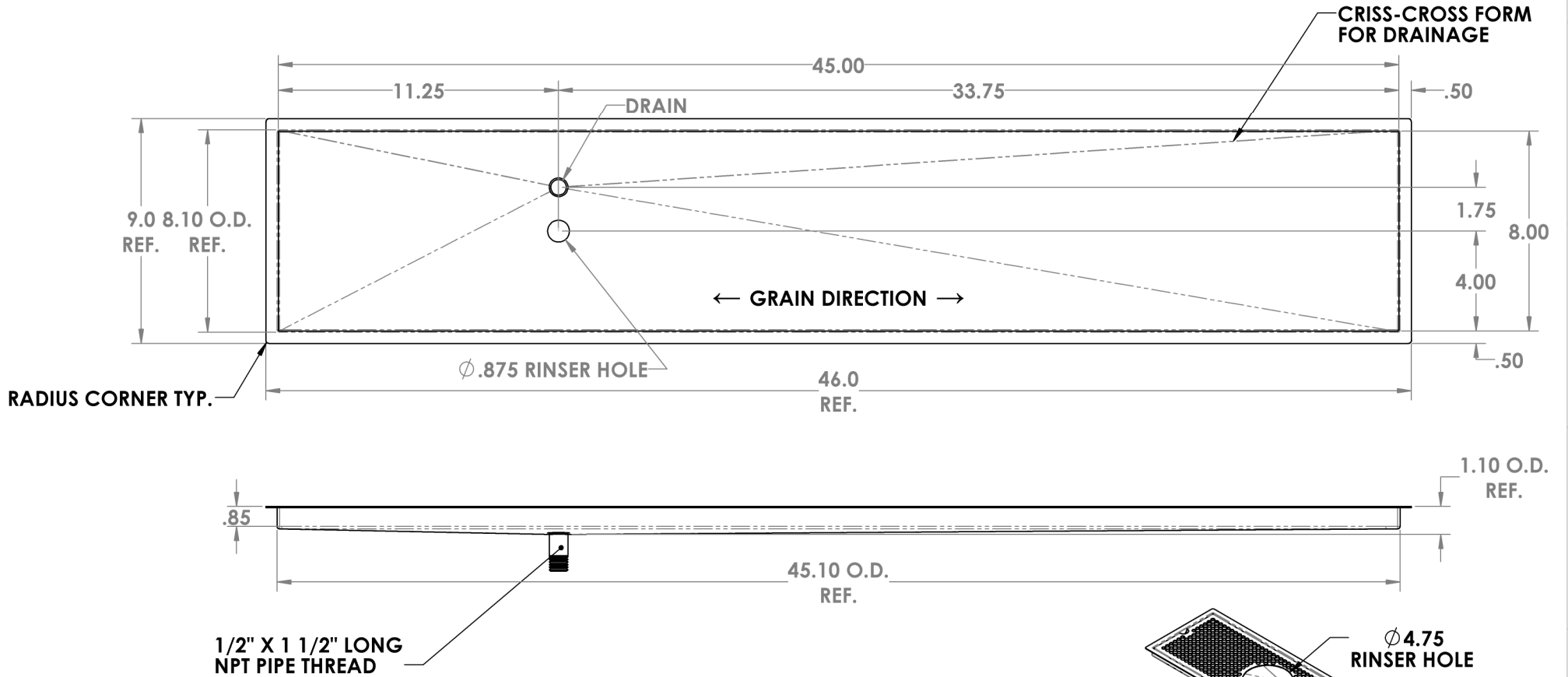


**CHANGE DIMENSIONS AS NEEDED FOR CUSTOM TRAYS**

DATE	REV.	REVISIONS	
		DESCRIPTION	DATE

**Precision Sheet Metal**  
 Design ♦ Engineering ♦ Fabrication  
 www.acumetalfab.com

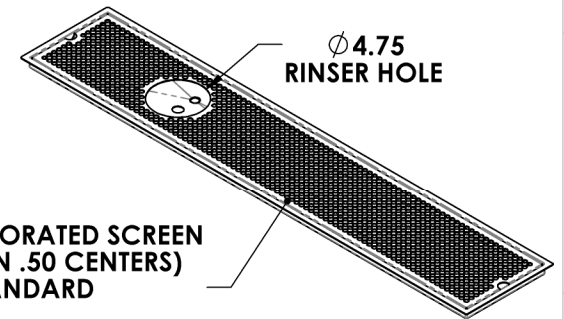


**NOTES:**

ALL DIMENSIONS ARE INSIDE DIMENSIONS (UNLESS OTHERWISE NOTED)

\*RINSER HARDWARE NOT INCLUDED : SOLD SEPARATELY

18 GA. PERFORATED SCREEN  
 (Ø.375 ON .50 CENTERS)  
 STANDARD



**PART # 0208-45-7**

PROPRIETARY AND CONFIDENTIAL

THE INFORMATION CONTAINED IN THIS DRAWING IS THE SOLE PROPERTY OF ACU PRECISION SHEET METAL. ANY REPRODUCTION IN PART OR AS A WHOLE WITHOUT THE WRITTEN PERMISSION OF ACU PRECISION SHEET METAL IS PROHIBITED.

ACU PRECISION SHEET METAL IS :  
 AMERICAN COFFEE URN MANUFACTURING CO., INC

	NAME	DATE
DRAWN	L. WILLIAMS	05/17
MATERIAL	18 GA. 304 STAINLESS STEEL	
FINISH	#4 BRUSHED	

TITLE:
<b>FM-LDR                  FLUSH MOUNT W/LEFT                  DRAIN &amp; RINSER HOLE*                  8" X 45"</b>
<b>AMERICAN COFFEE URN</b>