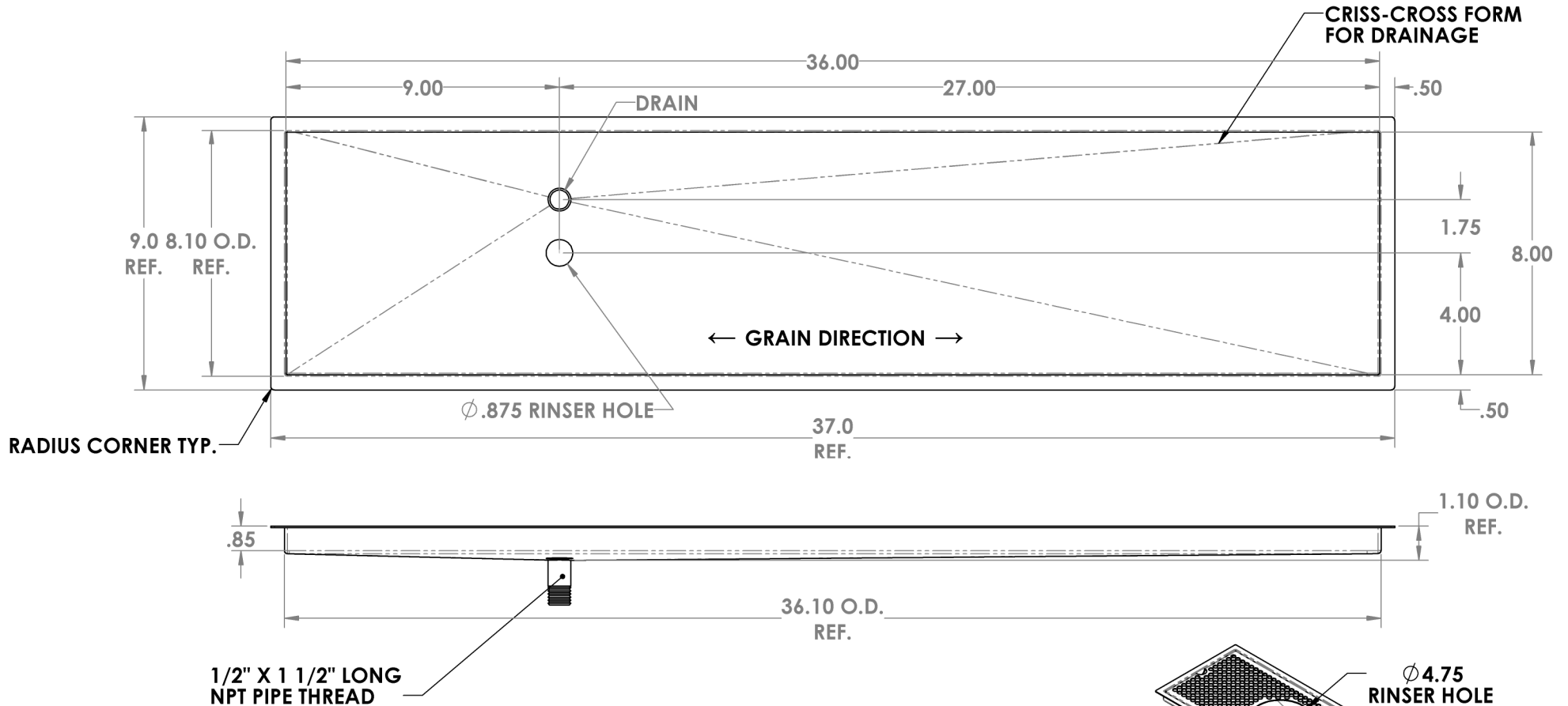


CHANGE DIMENSIONS AS NEEDED FOR CUSTOM TRAYS

| I | O | N | REVISIONS | |
|---|---|---|-------------|------|
| | | | DESCRIPTION | DATE |
| | | | | |
| | | | | |
| | | | | |

Precision Sheet Metal
 Design ♦ Engineering ♦ Fabrication
 www.acumetalfab.com



NOTES:

ALL DIMENSIONS ARE INSIDE DIMENSIONS
 (UNLESS OTHERWISE NOTED)

*RINSER HARDWARE NOT INCLUDED : SOLD SEPARATELY

18 GA. PERFORATED SCREEN
 (Ø .375 ON .50 CENTERS)
 STANDARD

PART # 0208-36-7

PROPRIETARY AND CONFIDENTIAL

THE INFORMATION CONTAINED IN THIS DRAWING IS THE SOLE PROPERTY OF ACU PRECISION SHEET METAL. ANY REPRODUCTION IN PART OR AS A WHOLE WITHOUT THE WRITTEN PERMISSION OF ACU PRECISION SHEET METAL IS PROHIBITED.

ACU PRECISION SHEET METAL IS :
 AMERICAN COFFEE URN MANUFACTURING CO., INC

| | NAME | DATE |
|----------|----------------------------|-------|
| DRAWN | L. WILLIAMS | 05/17 |
| MATERIAL | 18 GA. 304 STAINLESS STEEL | |
| FINISH | #4 BRUSHED | |

TITLE:
**FM-LDR
 FLUSH MOUNT W/LEFT
 DRAIN & RINSER HOLE*
 8" X 36"**
AMERICAN COFFEE URN