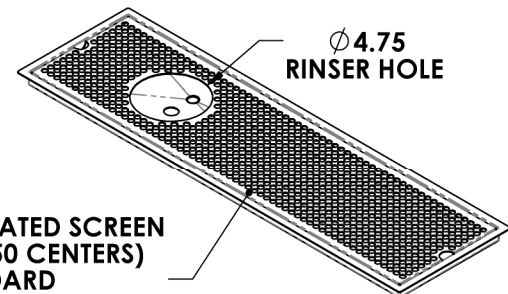
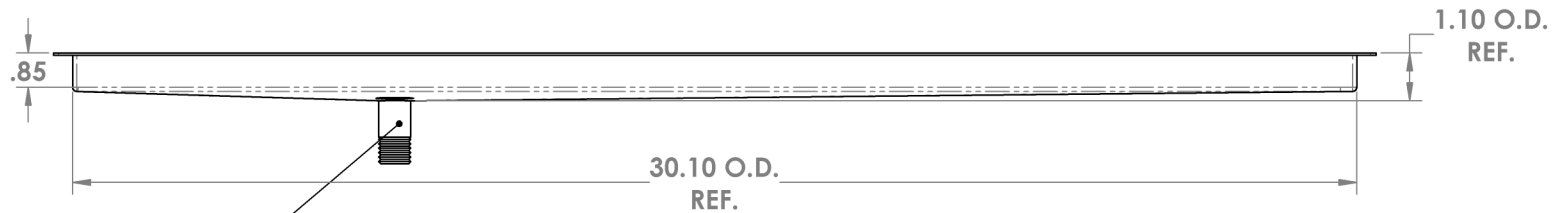
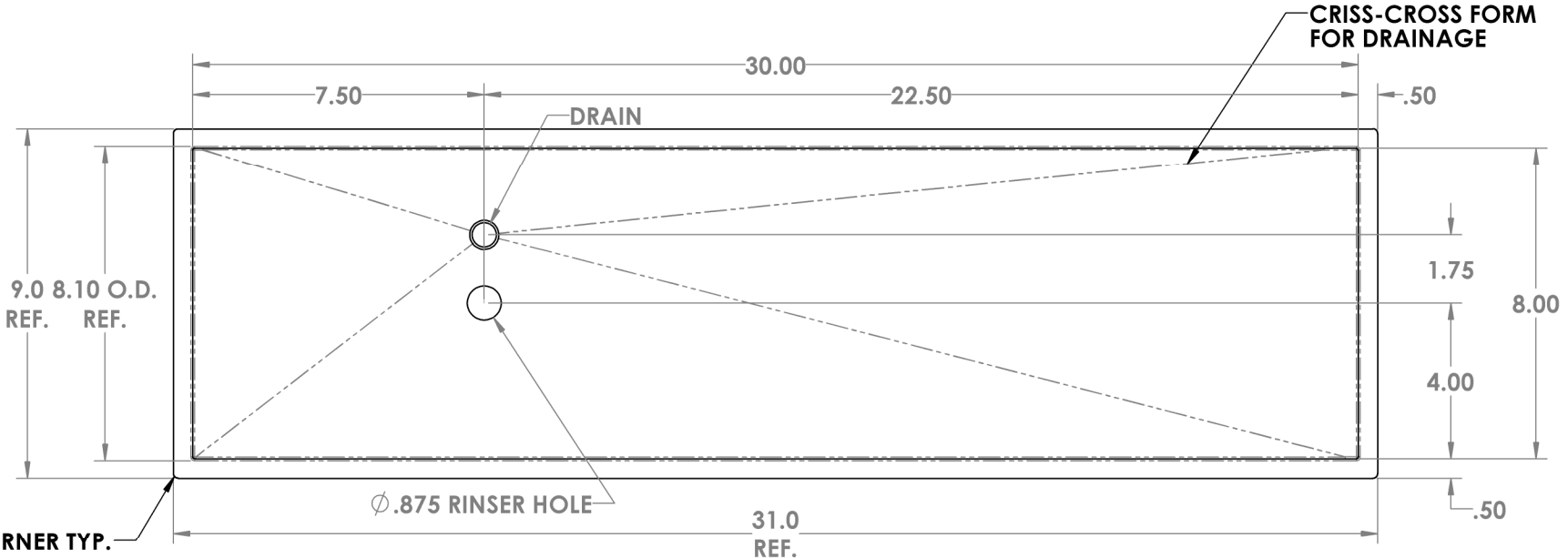


CHANGE DIMENSIONS AS NEEDED FOR CUSTOM TRAYS

REV. NO.		DESCRIPTION	DATE	APPROVED

Precision Sheet Metal
 Design ♦ Engineering ♦ Fabrication
 www.acumetalfab.com



NOTES:
 ALL DIMENSIONS ARE INSIDE DIMENSIONS
 (UNLESS OTHERWISE NOTED)

*RINSER HARDWARE NOT INCLUDED : SOLD SEPARATELY

**18 GA. PERFORATED SCREEN
 (Ø .375 ON .50 CENTERS)
 STANDARD**

PART # 80708-30-7

PROPRIETARY AND CONFIDENTIAL		NAME	DATE	TITLE: FM-LDR FLUSH MOUNT W/LEFT DRAIN & RINSER HOLE* 8" X 30"
THE INFORMATION CONTAINED IN THIS DRAWING IS THE SOLE PROPERTY OF ACU PRECISION SHEET METAL. ANY REPRODUCTION IN PART OR AS A WHOLE WITHOUT THE WRITTEN PERMISSION OF ACU PRECISION SHEET METAL IS PROHIBITED.		L. WILLIAMS	05/17	
MATERIAL	18 GA. 304 STAINLESS STEEL			
FINISH	#8 POLISHED			
AMERICAN COFFEE URN MANUFACTURING CO., INC.		DO NOT SCALE DRAWING		AMERICAN COFFEE URN