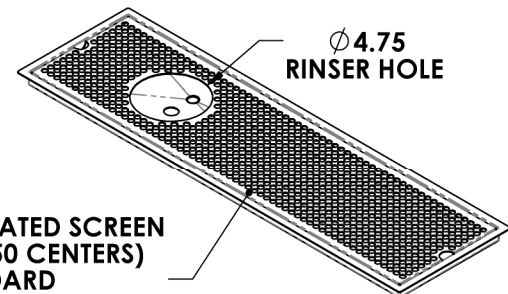
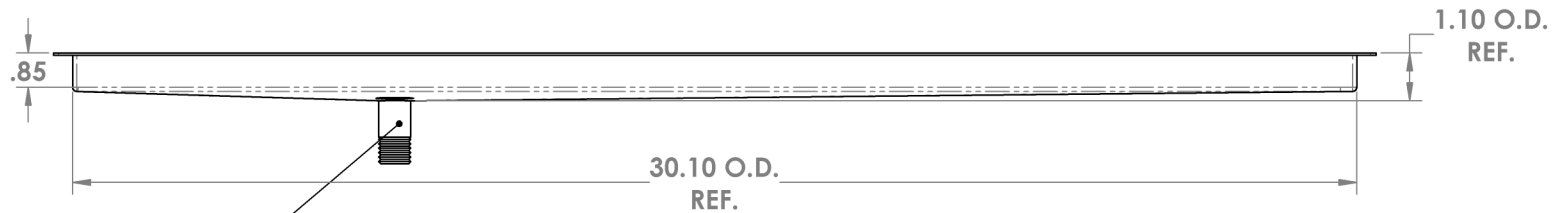
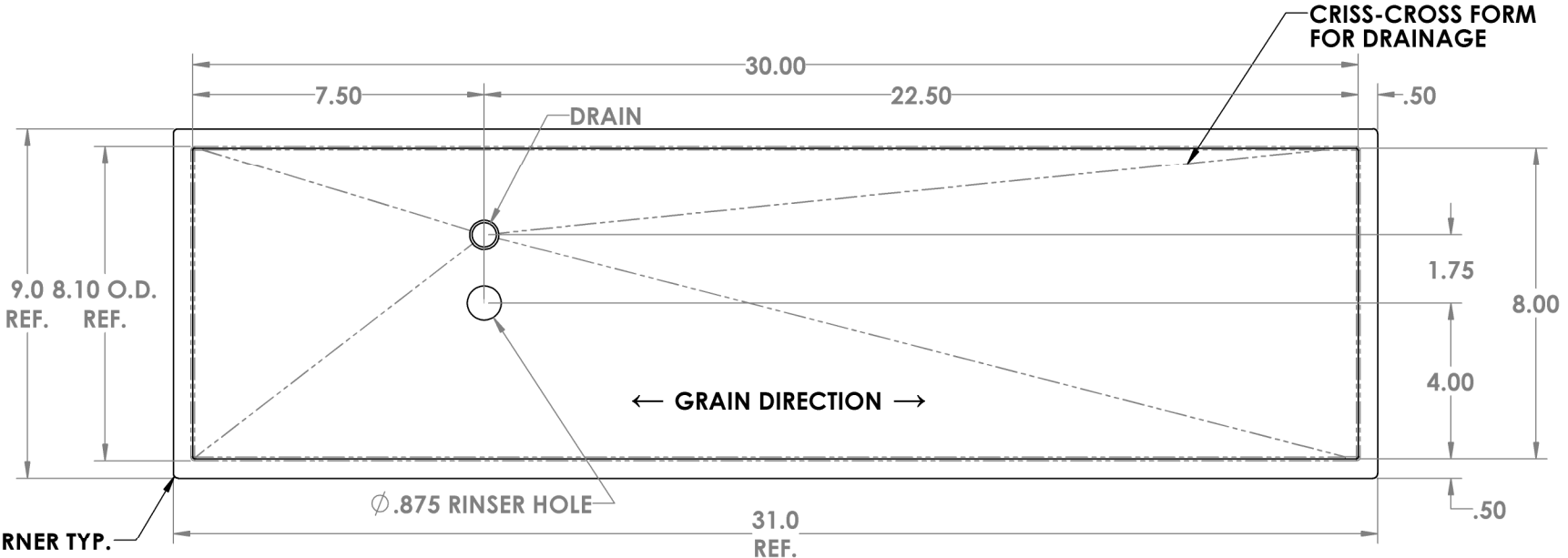


**CHANGE DIMENSIONS AS NEEDED FOR CUSTOM TRAYS**

REV. NO.		DESCRIPTION	DATE	APPROVED

**Precision Sheet Metal**  
 Design ♦ Engineering ♦ Fabrication  
 www.acumetalfab.com



**NOTES:**  
 ALL DIMENSIONS ARE INSIDE DIMENSIONS  
 (UNLESS OTHERWISE NOTED)

\*RINSER HARDWARE NOT INCLUDED : SOLD SEPARATELY

**18 GA. PERFORATED SCREEN  
 (Ø .375 ON .50 CENTERS)  
 STANDARD**

**PART # 0208-30-7**

PROPRIETARY AND CONFIDENTIAL THE INFORMATION CONTAINED IN THIS DRAWING IS THE SOLE PROPERTY OF ACU PRECISION SHEET METAL. ANY REPRODUCTION IN PART OR AS A WHOLE WITHOUT THE WRITTEN PERMISSION OF ACU PRECISION SHEET METAL IS PROHIBITED. AMERICAN COFFEE URN MANUFACTURING CO., INC		NAME <b>L. WILLIAMS</b>	DATE <b>05/17</b>	TITLE: <b>FM-LDR          FLUSH MOUNT W/LEFT          DRAIN &amp; RINSER HOLE*          8" X 30"</b>
DRAWN	MATERIAL <b>18 GA. 304 STAINLESS STEEL</b>		<b>AMERICAN COFFEE URN</b>	
FINISH	#4 BRUSHED			
DO NOT SCALE DRAWING				