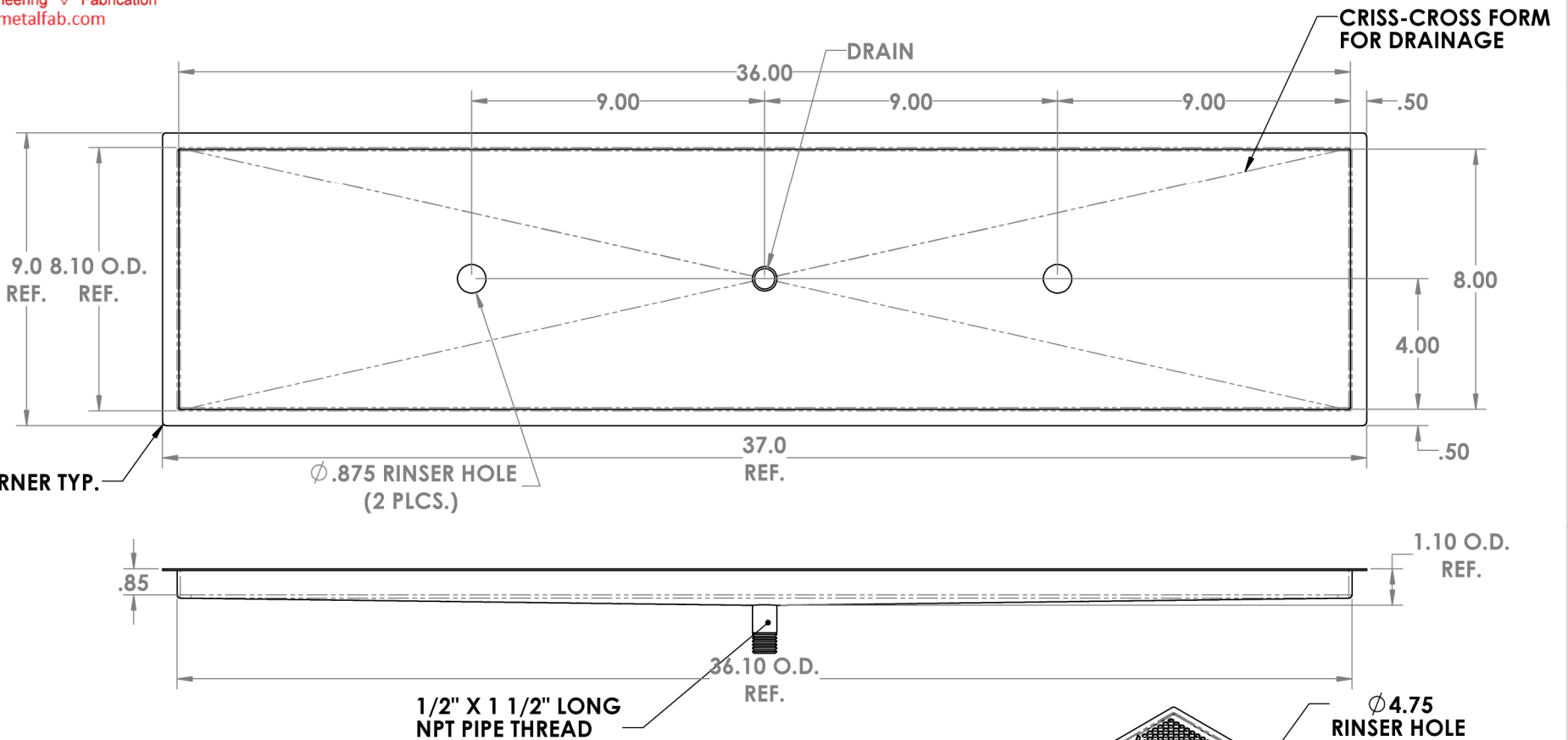


CHANGE DIMENSIONS AS NEEDED FOR CUSTOM TRAYS

REVISIONS		DATE	APPROVED
IONE	REV.	DESCRIPTION	

Precision Sheet Metal
 Design ♦ Engineering ♦ Fabrication
 www.acumetalfab.com



RADIUS CORNER TYP.

Ø.875 RINSER HOLE
(2 PLCS.)

37.0 REF.

CRISS-CROSS FORM FOR DRAINAGE

DRAIN

9.0 8.10 O.D.
REF. REF.

8.00

4.00

.50

1.10 O.D.
REF.

36.10 O.D.
REF.

1/2" X 1 1/2" LONG
NPT PIPE THREAD

Ø4.75
RINSER HOLE
(2 PLCS)

18 GA. PERFORATED SCREEN
(Ø.375 ON .50 CENTERS)
STANDARD

PART # 80708-36-5

NOTES:

ALL DIMENSIONS ARE INSIDE DIMENSIONS
(UNLESS OTHERWISE NOTED)

*RINSER HARDWARE NOT INCLUDED : SOLD SEPARATELY

PROPRIETARY AND CONFIDENTIAL
 THE INFORMATION CONTAINED IN THIS DRAWING IS THE SOLE PROPERTY OF ACU PRECISION SHEET METAL. ANY REPRODUCTION IN PART OR AS A WHOLE WITHOUT THE WRITTEN PERMISSION OF ACU PRECISION SHEET METAL IS PROHIBITED.
 AMERICAN COFFEE URN MANUFACTURING CO., INC

	NAME	DATE
DRAWN	L. WILLIAMS	05/17
MATERIAL	18 GA. 304 STAINLESS STEEL	
FINISH	#8 POLISHED	

TITLE:
FM-D-DR FLUSH MOUNT W/DRAIN & DOUBLE RINSER HOLES* 8" X 36"
AMERICAN COFFEE URN