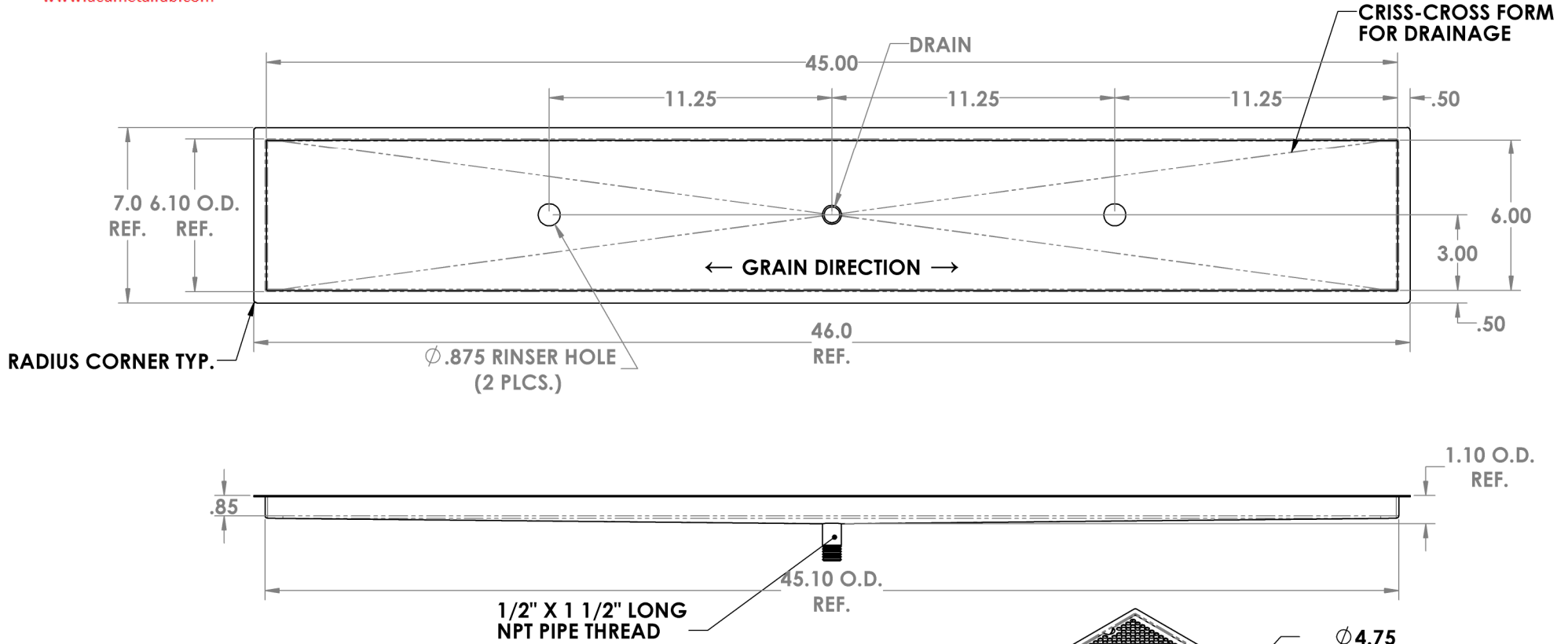


CHANGE DIMENSIONS AS NEEDED FOR CUSTOM TRAYS

I/O	REV.	REVISIONS		DATE	APPROVED
		DESCRIPTION			

Precision Sheet Metal
 Design ♦ Engineering ♦ Fabrication
 www.acumetalfab.com



NOTES:

ALL DIMENSIONS ARE INSIDE DIMENSIONS (UNLESS OTHERWISE NOTED)

*RINSER HARDWARE NOT INCLUDED : SOLD SEPARATELY

18 GA. PERFORATED SCREEN
 (Ø.375 ON .50 CENTERS)
 STANDARD

PART # 0206-45-5

PROPRIETARY AND CONFIDENTIAL
 THE INFORMATION CONTAINED IN THIS DRAWING IS THE SOLE PROPERTY OF ACU PRECISION SHEET METAL. ANY REPRODUCTION IN PART OR AS A WHOLE WITHOUT THE WRITTEN PERMISSION OF ACU PRECISION SHEET METAL IS PROHIBITED.
 AMERICAN COFFEE URN MANUFACTURING CO., INC

	NAME	DATE
DRAWN	L. WILLIAMS	05/17
MATERIAL	18 GA. 304 STAINLESS STEEL	
FINISH	#4 BRUSHED	

TITLE:
FM-D-DR FLUSH MOUNT W/DRAIN & DOUBLE RINSER HOLES* 6" X 45"
AMERICAN COFFEE URN