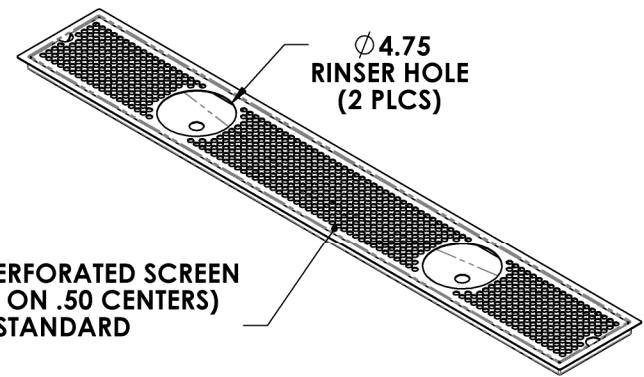
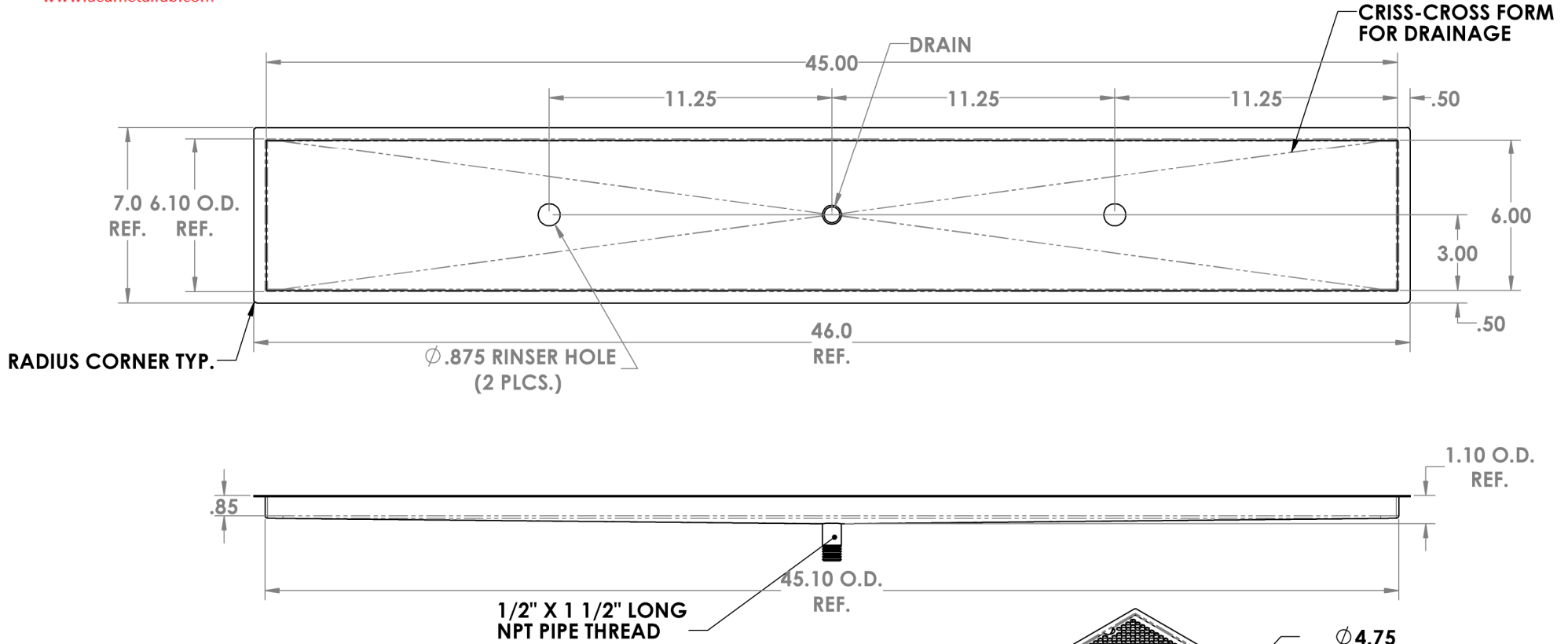


**CHANGE DIMENSIONS AS NEEDED FOR CUSTOM TRAYS**

|      |      | REVISIONS   |      |          |  |
|------|------|-------------|------|----------|--|
| IONE | REV. | DESCRIPTION | DATE | APPROVED |  |
|      |      |             |      |          |  |
|      |      |             |      |          |  |

**Precision Sheet Metal**  
 Design ♦ Engineering ♦ Fabrication  
 www.acumetalfab.com



**NOTES:**

ALL DIMENSIONS ARE INSIDE DIMENSIONS (UNLESS OTHERWISE NOTED)

\*RINSER HARDWARE NOT INCLUDED : SOLD SEPARATELY

**PART # 0706-45-5**

PROPRIETARY AND CONFIDENTIAL  
 THE INFORMATION CONTAINED IN THIS DRAWING IS THE SOLE PROPERTY OF ACU PRECISION SHEET METAL. ANY REPRODUCTION IN PART OR AS A WHOLE WITHOUT THE WRITTEN PERMISSION OF ACU PRECISION SHEET METAL IS PROHIBITED.  
 AMERICAN COFFEE URN MANUFACTURING CO., INC

|                 | NAME         | DATE  |
|-----------------|--------------|-------|
| <b>DRAWN</b>    | L. WILLIAMS  | 05/17 |
| <b>MATERIAL</b> | 16 GA. BRASS |       |
| <b>FINISH</b>   | #8 POLISHED  |       |

| TITLE:   |
|--|
| <b>FM-D-DR<br/>FLUSH MOUNT W/DRAIN<br/>&amp; DOUBLE RINSER HOLES*<br/>6" X 45"</b> |
| <b>AMERICAN COFFEE URN</b>   |