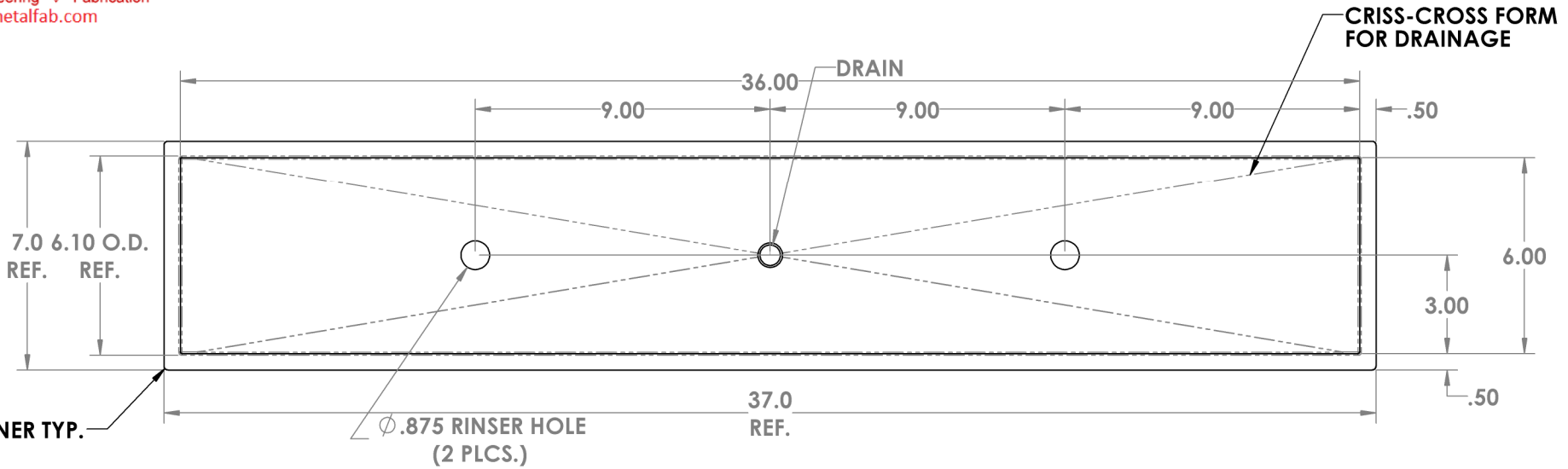


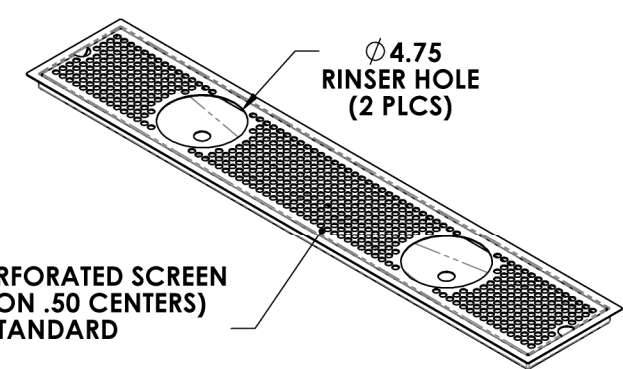
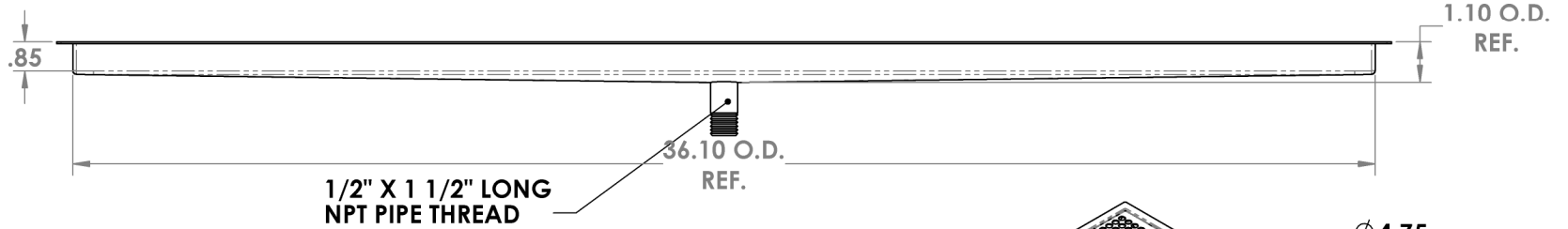
CHANGE DIMENSIONS AS NEEDED FOR CUSTOM TRAYS

		REVISIONS			
DATE	REV.	DESCRIPTION	DATE	APPROVED	

Precision Sheet Metal
 Design ♦ Engineering ♦ Fabrication
 www.acumetalfab.com



RADIUS CORNER TYP.



**16 GA. PERFORATED SCREEN
 (Ø.375 ON .50 CENTERS)
 STANDARD**

**Ø4.75
 RINSER HOLE
 (2 PLCS)**

PART # 0706-36-5

NOTES:

**ALL DIMENSIONS ARE INSIDE DIMENSIONS
 (UNLESS OTHERWISE NOTED)**

***RINSER HARDWARE NOT INCLUDED : SOLD SEPARATELY**

PROPRIETARY AND CONFIDENTIAL
 THE INFORMATION CONTAINED IN THIS DRAWING IS THE SOLE PROPERTY OF ACU PRECISION SHEET METAL. ANY REPRODUCTION IN PART OR AS A WHOLE WITHOUT THE WRITTEN PERMISSION OF ACU PRECISION SHEET METAL IS PROHIBITED.
 AMERICAN COFFEE URN MANUFACTURING CO., INC

	NAME	DATE
DRAWN	L. WILLIAMS	05/17
MATERIAL	16 GA. BRASS	
FINISH	#8 POLISHED	

TITLE:
FM-D-DR FLUSH MOUNT W/DRAIN & DOUBLE RINSER HOLES* 6" X 36"
AMERICAN COFFEE URN