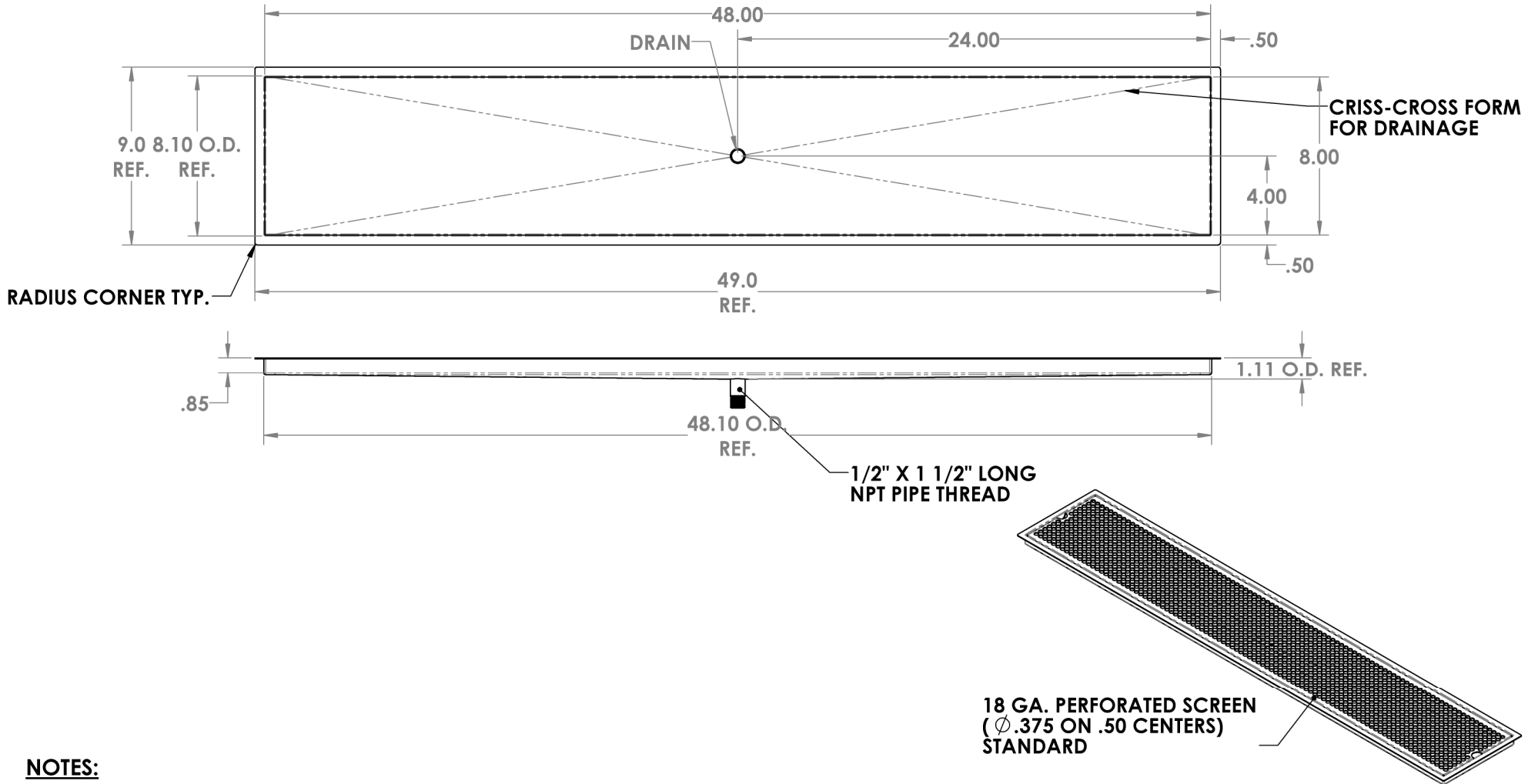


CHANGE DIMENSIONS AS NEEDED FOR CUSTOM TRAYS

		REVISIONS			
ZONE	REV.	DESCRIPTION	DATE	APPROVED	

Precision Sheet Metal
 Design ♦ Engineering ♦ Fabrication
 www.acumetalfab.com



NOTES:
 ALL DIMENSIONS ARE INSIDE DIMENSIONS
 (UNLESS OTHERWISE NOTED)

**18 GA. PERFORATED SCREEN
 (Ø .375 ON .50 CENTERS)
 STANDARD**

PART # 80708-48-0

PROPRIETARY AND CONFIDENTIAL THE INFORMATION CONTAINED IN THIS DRAWING IS THE SOLE PROPERTY OF ACU PRECISION SHEET METAL. ANY REPRODUCTION IN PART OR AS A WHOLE WITHOUT THE WRITTEN PERMISSION OF ACU PRECISION SHEET METAL IS PROHIBITED. AMERICAN COFFEE URN MANUFACTURING CO., INC		NAME L. WILLIAMS	DATE 05/17	TITLE: FM-D FLUSH MOUNT W/DRAIN 8" x 48"
DRAWN	MATERIAL 18 GA. 304 STAINLESS STEEL		AMERICAN COFFEE URN	
FINISH	FINISH #8 POLISHED			