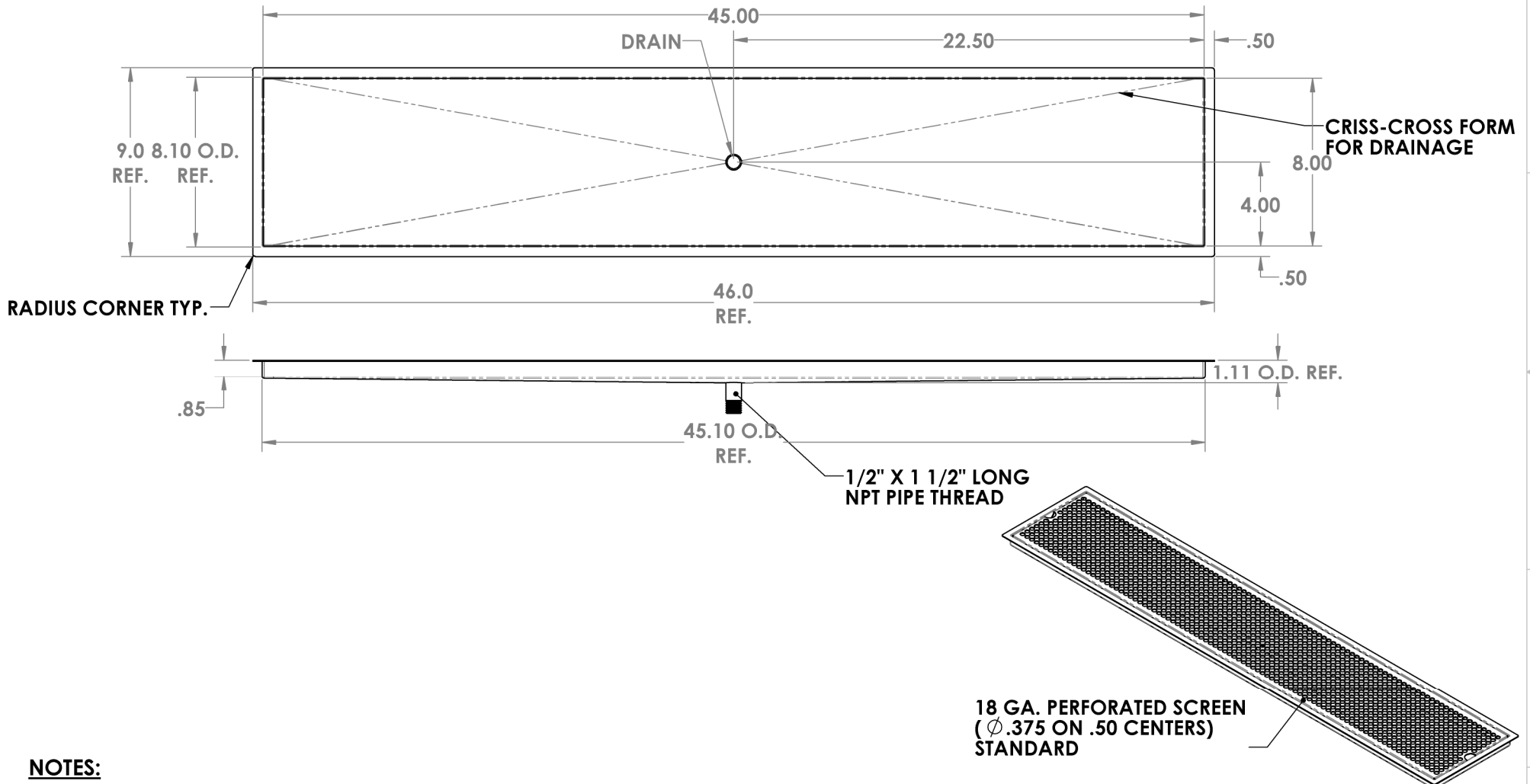


CHANGE DIMENSIONS AS NEEDED FOR CUSTOM TRAYS

REV. NO.		REVISIONS	DATE	APPROVED
DATE	DESCRIPTION			

Precision Sheet Metal
 Design ♦ Engineering ♦ Fabrication
 www.acumetalfab.com



NOTES:
 ALL DIMENSIONS ARE INSIDE DIMENSIONS
 (UNLESS OTHERWISE NOTED)

**18 GA. PERFORATED SCREEN
 (Ø .375 ON .50 CENTERS)
 STANDARD**

PART # 80708-45-0

PROPRIETARY AND CONFIDENTIAL THE INFORMATION CONTAINED IN THIS DRAWING IS THE SOLE PROPERTY OF ACU PRECISION SHEET METAL. ANY REPRODUCTION IN PART OR AS A WHOLE WITHOUT THE WRITTEN PERMISSION OF ACU PRECISION SHEET METAL IS PROHIBITED. AMERICAN COFFEE URN MANUFACTURING CO., INC.	NAME	DATE	TITLE: FM-D FLUSH MOUNT W/DRAIN 8" X 45" AMERICAN COFFEE URN	
	DRAWN	L. WILLIAMS		05/17
	MATERIAL	18 GA. 304 STAINLESS STEEL		
FINISH	#8 POLISHED			
DO NOT SCALE DRAWING				