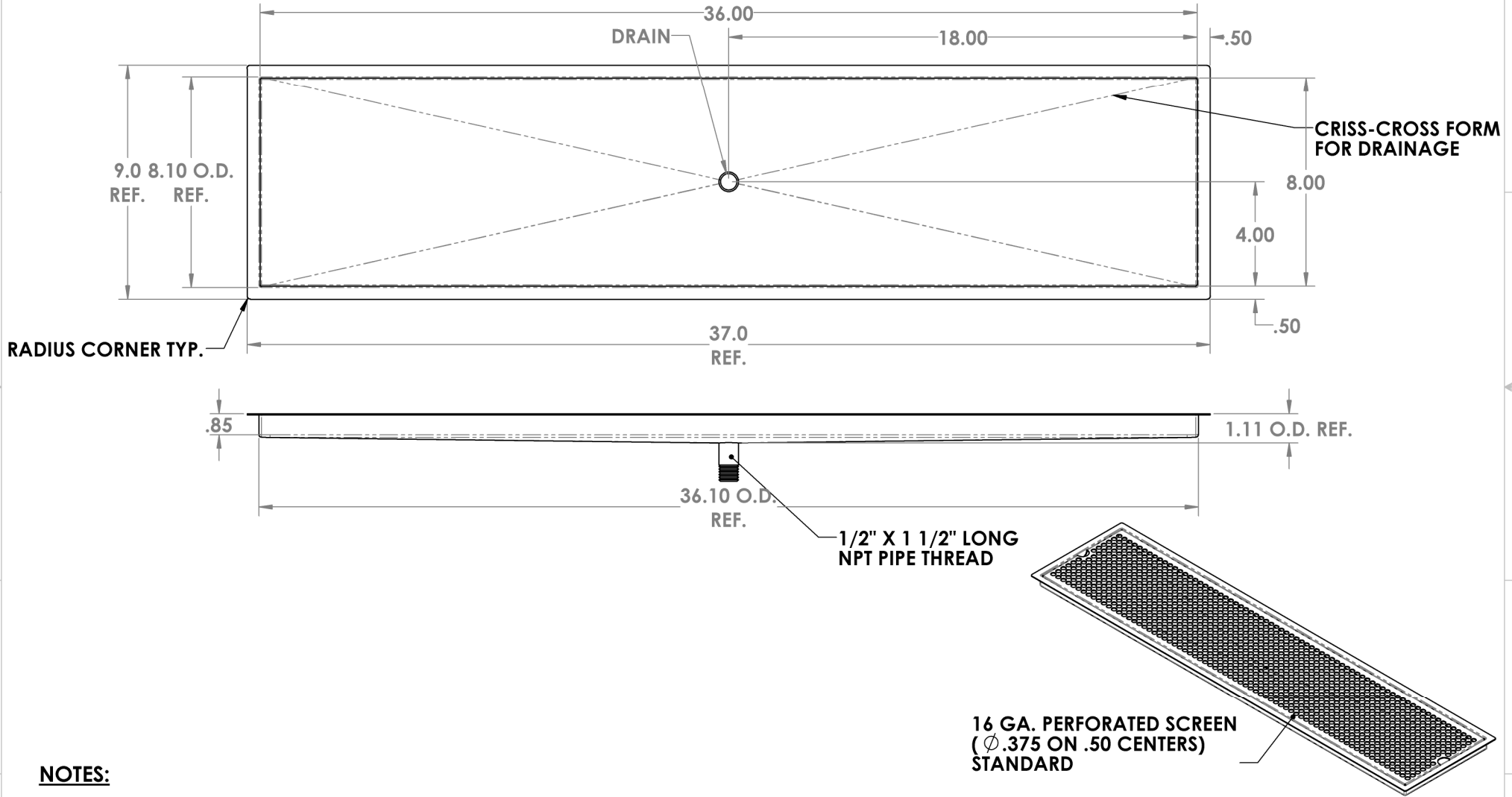


CHANGE DIMENSIONS AS NEEDED FOR CUSTOM TRAYS

		REVISIONS			
LINE	REV.	DESCRIPTION	DATE	APPROVED	

Precision Sheet Metal
 Design ♦ Engineering ♦ Fabrication
 www.acumetalfab.com



NOTES:
 ALL DIMENSIONS ARE INSIDE DIMENSIONS
 (UNLESS OTHERWISE NOTED)

**16 GA. PERFORATED SCREEN
 (Ø.375 ON .50 CENTERS)
 STANDARD**

PART # 0708-36-0

PROPRIETARY AND CONFIDENTIAL		NAME	DATE	TITLE: FM-D FLUSH MOUNT W/DRAIN 8" X 36"
THE INFORMATION CONTAINED IN THIS DRAWING IS THE SOLE PROPERTY OF ACU PRECISION SHEET METAL. ANY REPRODUCTION IN PART OR AS A WHOLE WITHOUT THE WRITTEN PERMISSION OF ACU PRECISION SHEET METAL IS PROHIBITED.		L. WILLIAMS	05/17	
MATERIAL		16 GA. BRASS		
FINISH		#8 POLISHED		
AMERICAN COFFEE URN MANUFACTURING CO., INC		DO NOT SCALE DRAWING		AMERICAN COFFEE URN