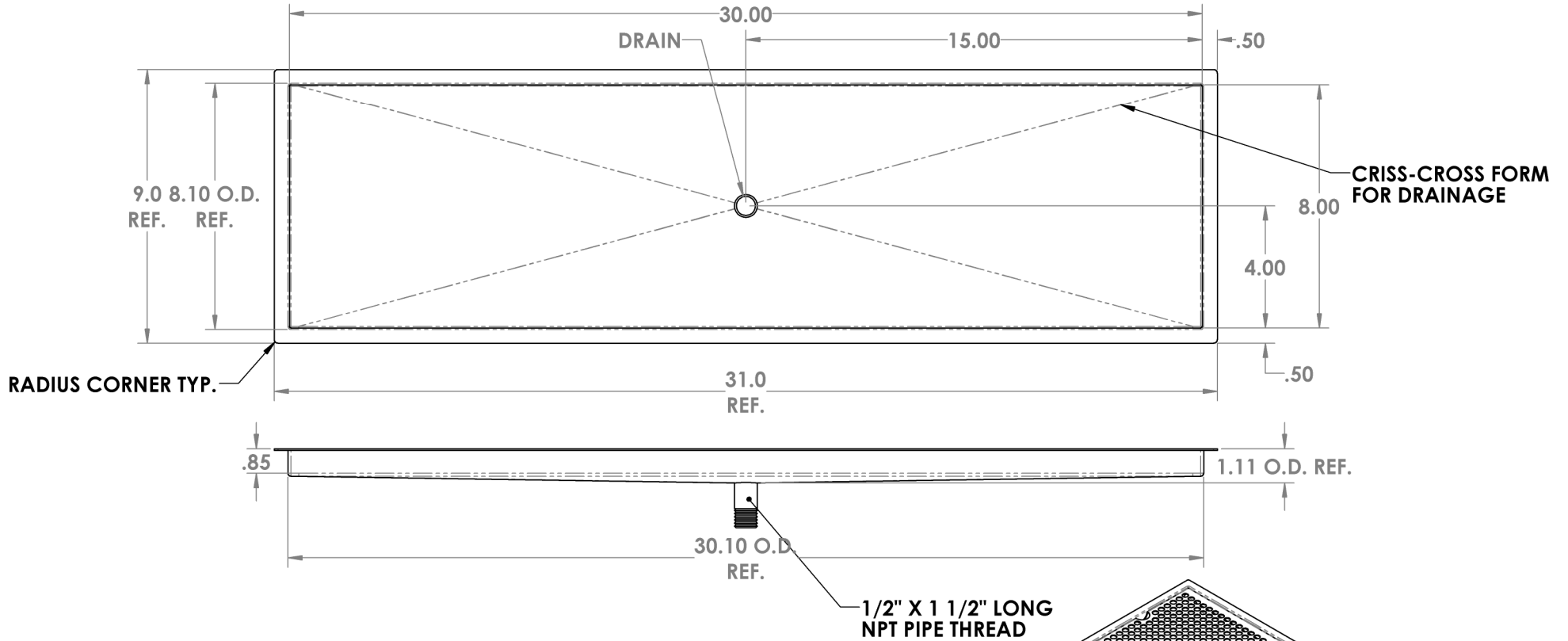


**CHANGE DIMENSIONS AS NEEDED FOR CUSTOM TRAYS**

|      |      | REVISIONS   |      |          |  |
|------|------|-------------|------|----------|--|
| ZONE | REV. | DESCRIPTION | DATE | APPROVED |  |
|      |      |             |      |          |  |
|      |      |             |      |          |  |

**Precision Sheet Metal**  
 Design ♦ Engineering ♦ Fabrication  
 www.acumetalfab.com



**NOTES:**

**ALL DIMENSIONS ARE INSIDE DIMENSIONS  
 (UNLESS OTHERWISE NOTED)**

PROPRIETARY AND CONFIDENTIAL

THE INFORMATION CONTAINED IN THIS DRAWING IS THE SOLE PROPERTY OF ACU PRECISION SHEET METAL. ANY REPRODUCTION IN PART OR AS A WHOLE WITHOUT THE WRITTEN PERMISSION OF ACU PRECISION SHEET METAL IS PROHIBITED.

ACU PRECISION SHEET METAL IS:  
 AMERICAN COFFEE URN MANUFACTURING CO., INC

|                 | NAME         | DATE  |
|-----------------|--------------|-------|
| <b>DRAWN</b>    | L. WILLIAMS  | 05/17 |
| <b>MATERIAL</b> | 16 GA. BRASS |       |
| <b>FINISH</b>   | #8 POLISHED  |       |

| TITLE:   |
|--|
| <b>FM-D<br/>                 FLUSH MOUNT W/DRAIN<br/>                 8" X 30"</b> |
| <b>AMERICAN COFFEE URN</b>   |

**PART # 0708-30-0**