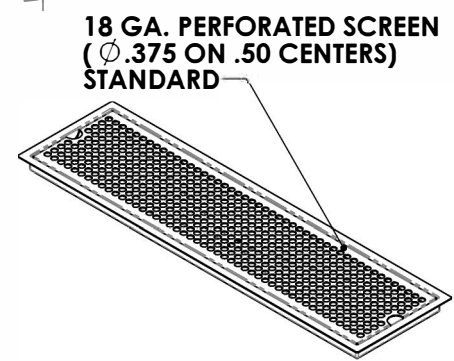
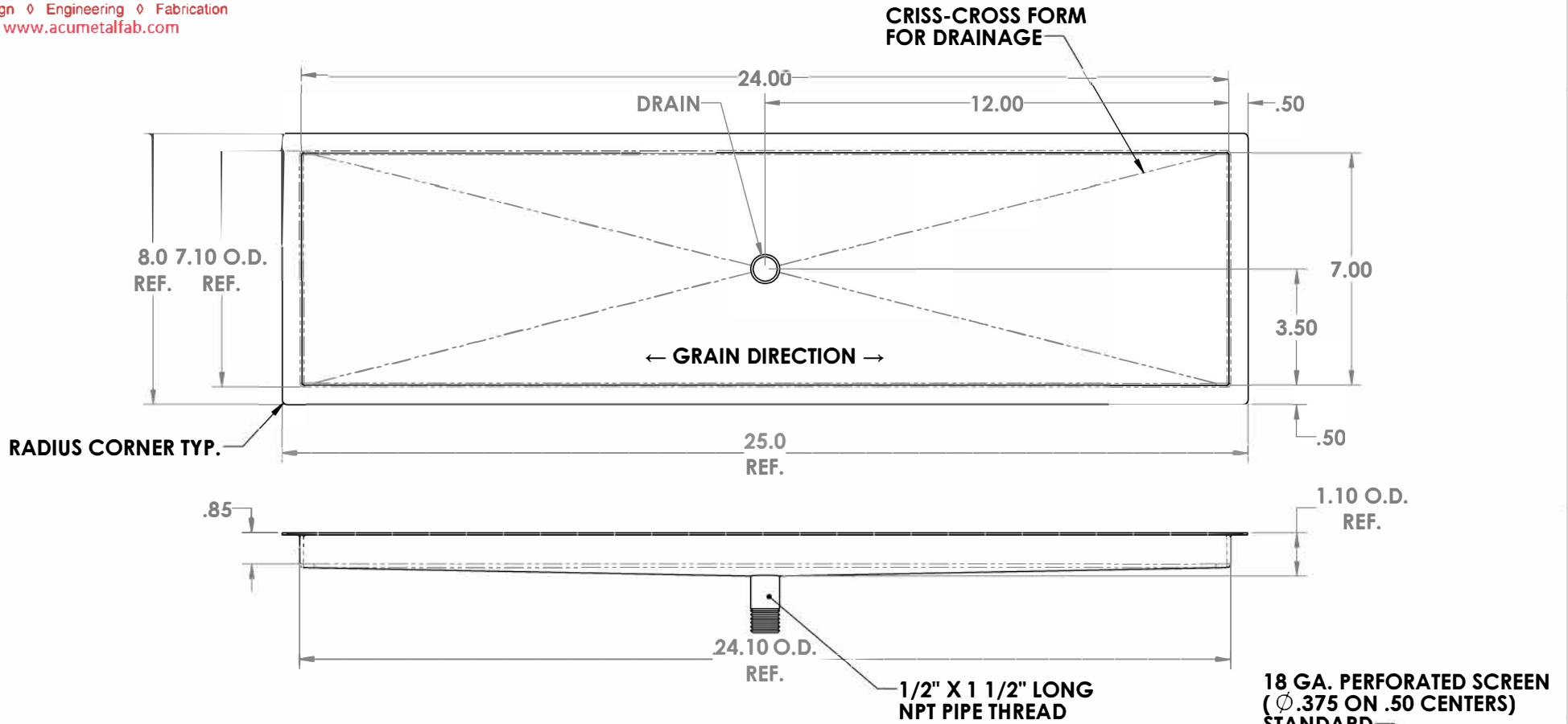


**CHANGE DIMENSIONS AS NEEDED FOR CUSTOM TRAYS**

REV. NO.		REVISIONS	DATE	APPROVED
		DESCRIPTION		

**Precision Sheet Metal**  
 Design ♦ Engineering ♦ Fabrication  
 www.acumetalfab.com



**NOTES:**  
 ALL DIMENSIONS ARE INSIDE DIMENSIONS  
 (UNLESS OTHERWISE NOTED)

**PART # 0207-24-0**

PROPRIETARY AND CONFIDENTIAL THE INFORMATION CONTAINED IN THIS DRAWING IS THE SOLE PROPERTY OF ACU PRECISION SHEET METAL. ANY REPRODUCTION IN PART OR AS A WHOLE WITHOUT THE WRITTEN PERMISSION OF ACU PRECISION SHEET METAL IS PROHIBITED. ACU PRECISION SHEET METAL IS : AMERICAN COFFEE URN MANUFACTURING CO., INC	NAME	DATE	TITLE:	
	DRAWN	L. WILLIAMS		05/17
	MATERIAL	18 GA. 304 STAINLESS STEEL		<b>FM-D                  FLUSH MOUNT W/DRAIN                  7" X 24"</b>
	FINISH	#4 BRUSHED		
AMERICAN COFFEE URN MANUFACTURING CO., INC DO NOT SCALE DRAWING			<b>AMERICAN COFFEE URN</b>	