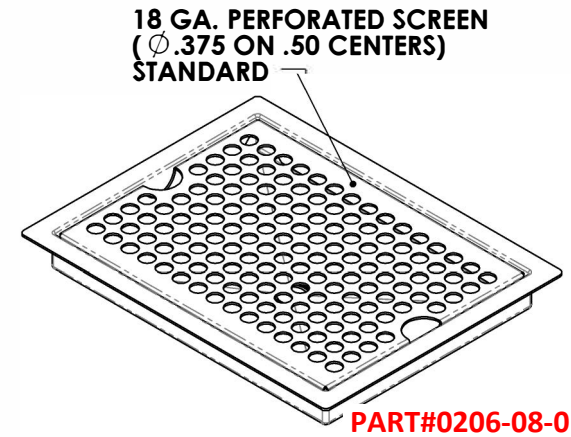
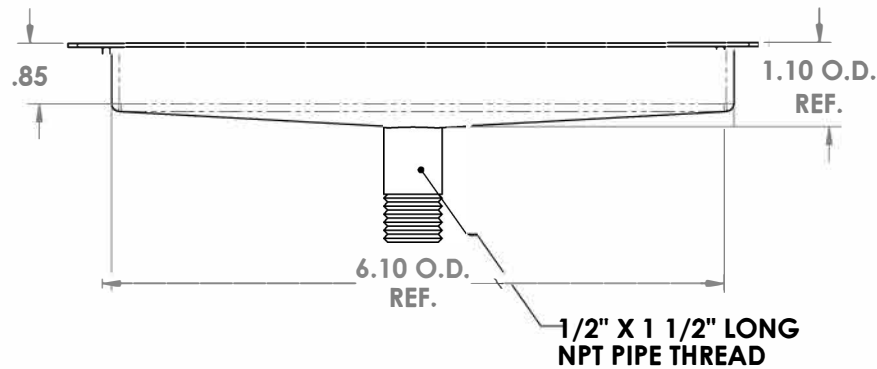
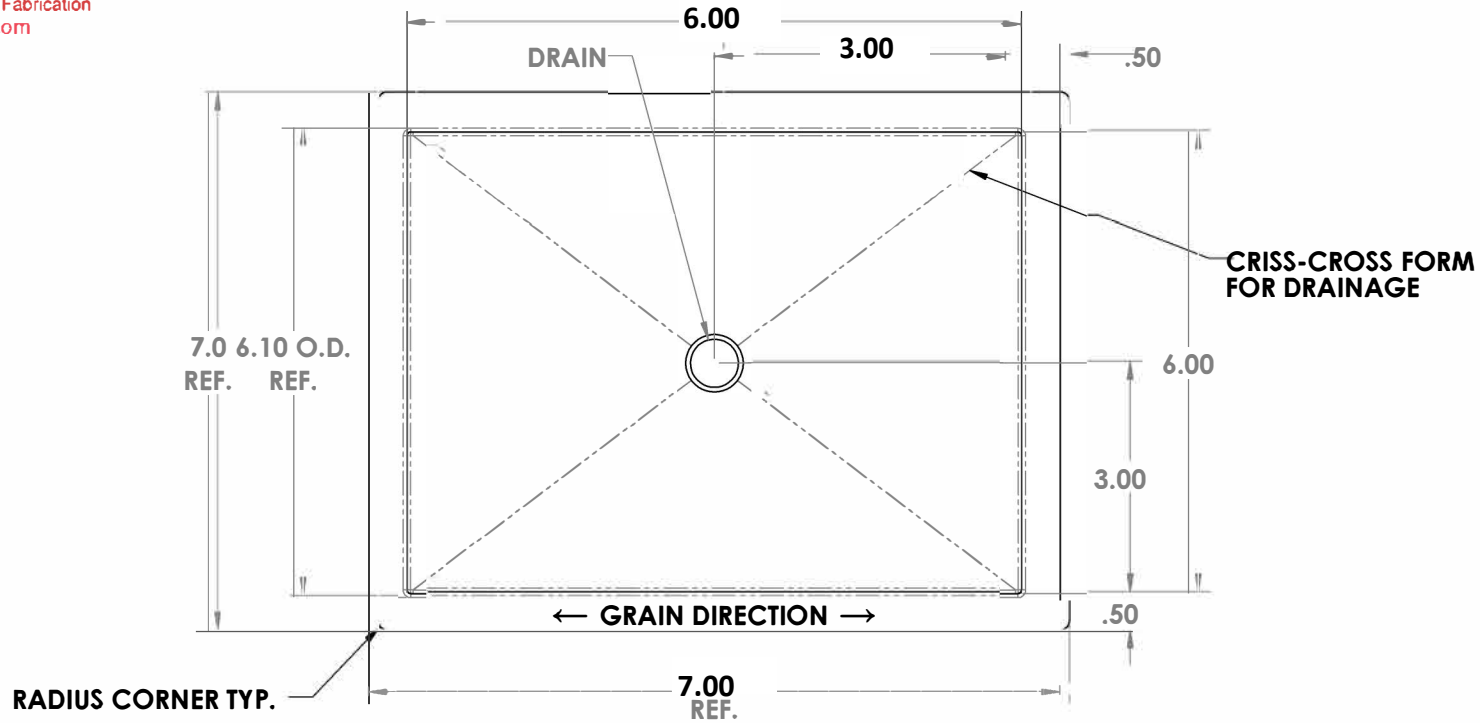


CHANGE DIMENSIONS AS NEEDED FOR CUSTOM TRAYS

REVISIONS			
ZONE	REV.	DESCRIPTION	DATE APPROVED

Precision Sheet Metal
 Design ♦ Engineering ♦ Fabrication
 www.acumetalfab.com



NOTES:
 ALL DIMENSIONS ARE INSIDE DIMENSIONS (UNLESS OTHERWISE NOTED)

PROPRIETARY AND CONFIDENTIAL THE INFORMATION CONTAINED IN THIS DRAWING IS THE SOLE PROPERTY OF ACU PRECISION SHEET METAL. ANY REPRODUCTION IN PART OR AS A WHOLE WITHOUT THE WRITTEN PERMISSION OF ACU PRECISION SHEET METAL IS PROHIBITED. ACU PRECISION SHEET METAL IS : AMERICAN COFFEE URN MANUFACTURING CO., INC	NAME	DATE	TITLE:	
	DRAWN	L. WILLIAMS	05/17	FM-D FLUSH MOUNT W/DRAIN 6" X 6"
	MATERIAL	18 GA. 304 STAINLESS STEEL		AMERICAN COFFEE URN
	FINISH	#4 BRUSHED		
DO NOT SCALE DRAWING				