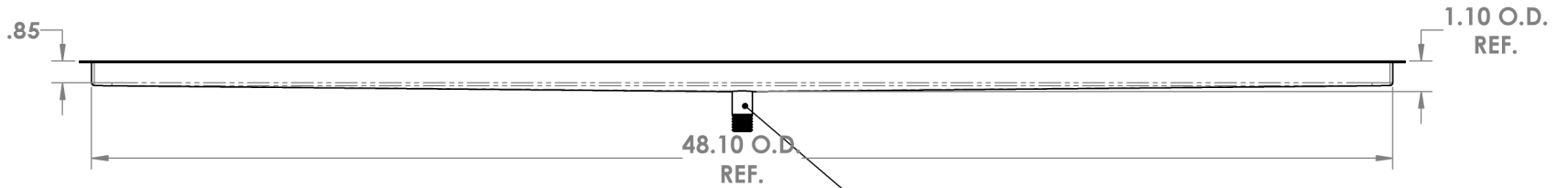
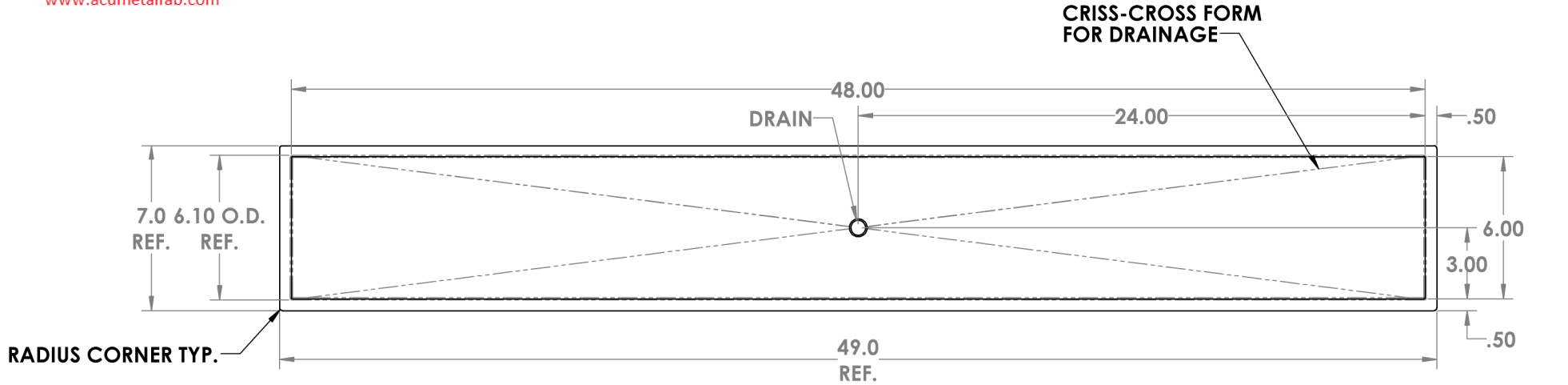


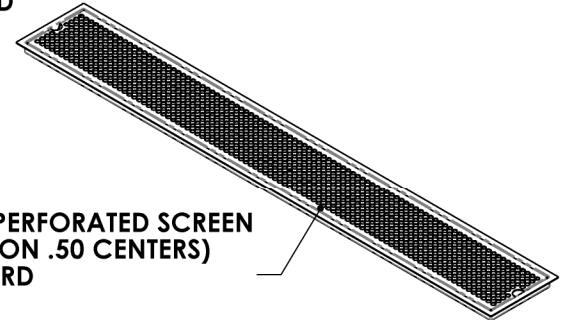
**CHANGE DIMENSIONS AS NEEDED FOR CUSTOM TRAYS**

ZONE	REV.	REVISIONS		DATE	APPROVED
		DESCRIPTION			

**Precision Sheet Metal**  
 Design ♦ Engineering ♦ Fabrication  
 www.acumetalfab.com



1/2" X 1 1/2" LONG  
 NPT PIPE THREAD



18 GA. PERFORATED SCREEN  
 (Ø .375 ON .50 CENTERS)  
 STANDARD

**PART # 80706-48-0**

**NOTES:**

ALL DIMENSIONS ARE INSIDE DIMENSIONS  
 (UNLESS OTHERWISE NOTED)

PROPRIETARY AND CONFIDENTIAL

THE INFORMATION CONTAINED IN THIS DRAWING IS THE SOLE PROPERTY OF ACU PRECISION SHEET METAL. ANY REPRODUCTION IN PART OR AS A WHOLE WITHOUT THE WRITTEN PERMISSION OF ACU PRECISION SHEET METAL IS PROHIBITED.

ACU PRECISION SHEET METAL IS :  
 AMERICAN COFFEE URN MANUFACTURING CO., INC

	NAME	DATE
DRAWN	L. WILLIAMS	05/17
MATERIAL	18 GA. 304 STAINLESS STEEL	
FINISH	#8 POLISHED	

TITLE:
FM-D FLUSH MOUNT W/DRAIN 6" X 48"
AMERICAN COFFEE URN