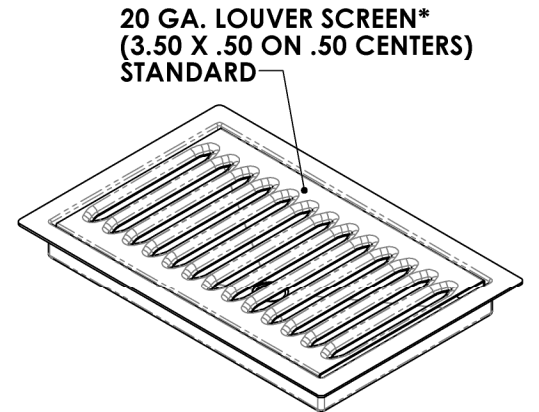
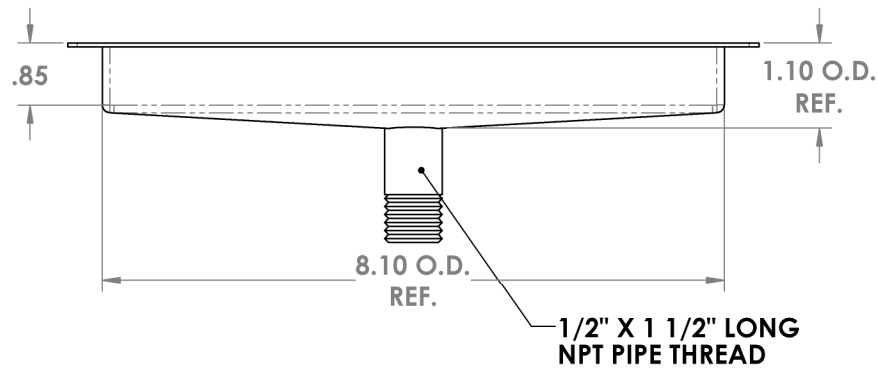
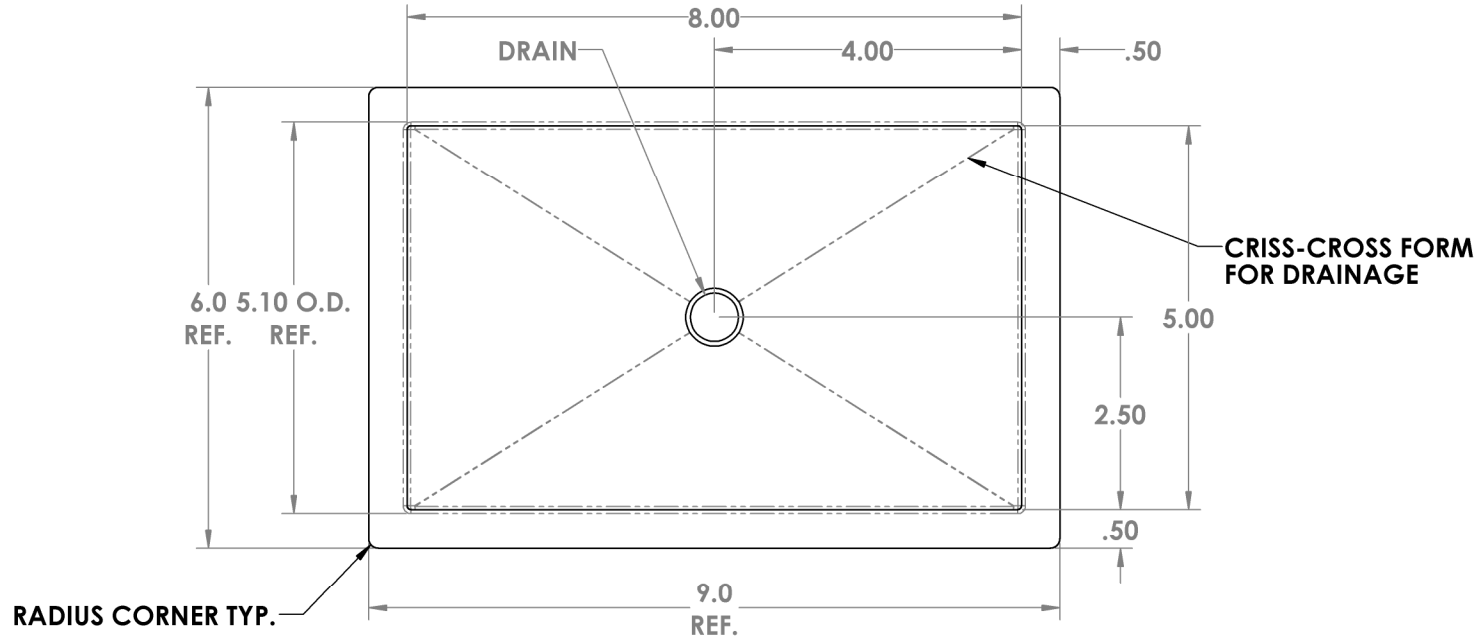


CHANGE DIMENSIONS AS NEEDED FOR CUSTOM TRAYS

REV. NO.		REVISIONS	DATE	APPROVED
ZONE	REV.	DESCRIPTION		

Precision Sheet Metal
 Design ♦ Engineering ♦ Fabrication
 www.acumetalfab.com



NOTES:
 ALL DIMENSIONS ARE INSIDE DIMENSIONS (UNLESS OTHERWISE NOTED)
 * OPTIONAL 18 GA. PERFORATED SCREEN AVAILABLE ON CUSTOM TRAYS

PART # 80700-08-0

PROPRIETARY AND CONFIDENTIAL THE INFORMATION CONTAINED IN THIS DRAWING IS THE SOLE PROPERTY OF ACU PRECISION SHEET METAL. ANY REPRODUCTION IN PART OR AS A WHOLE WITHOUT THE WRITTEN PERMISSION OF ACU PRECISION SHEET METAL IS PROHIBITED. AMERICAN COFFEE URN MANUFACTURING CO., INC.	NAME	DATE	TITLE:	
	DRAWN	L. WILLIAMS		05/17
	MATERIAL	18 GA. 304 STAINLESS STEEL		FM-D FLUSH MOUNT W/DRAIN 5" X 8" AMERICAN COFFEE URN
	FINISH	#8 POLISHED		
DO NOT SCALE DRAWING				