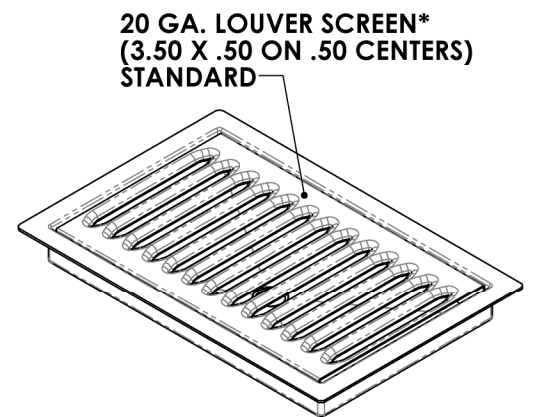
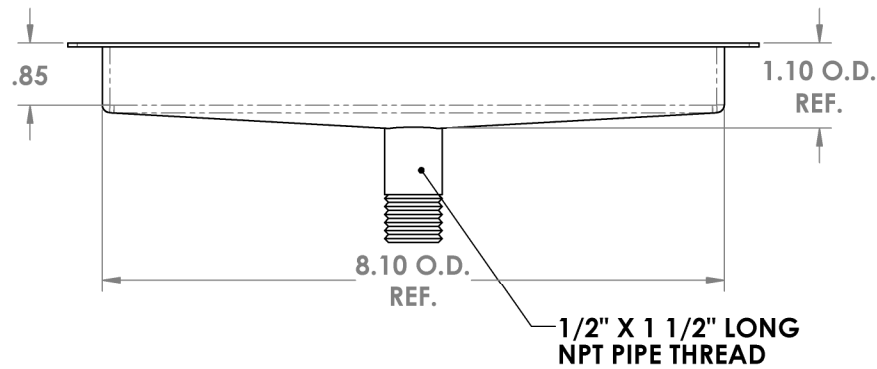
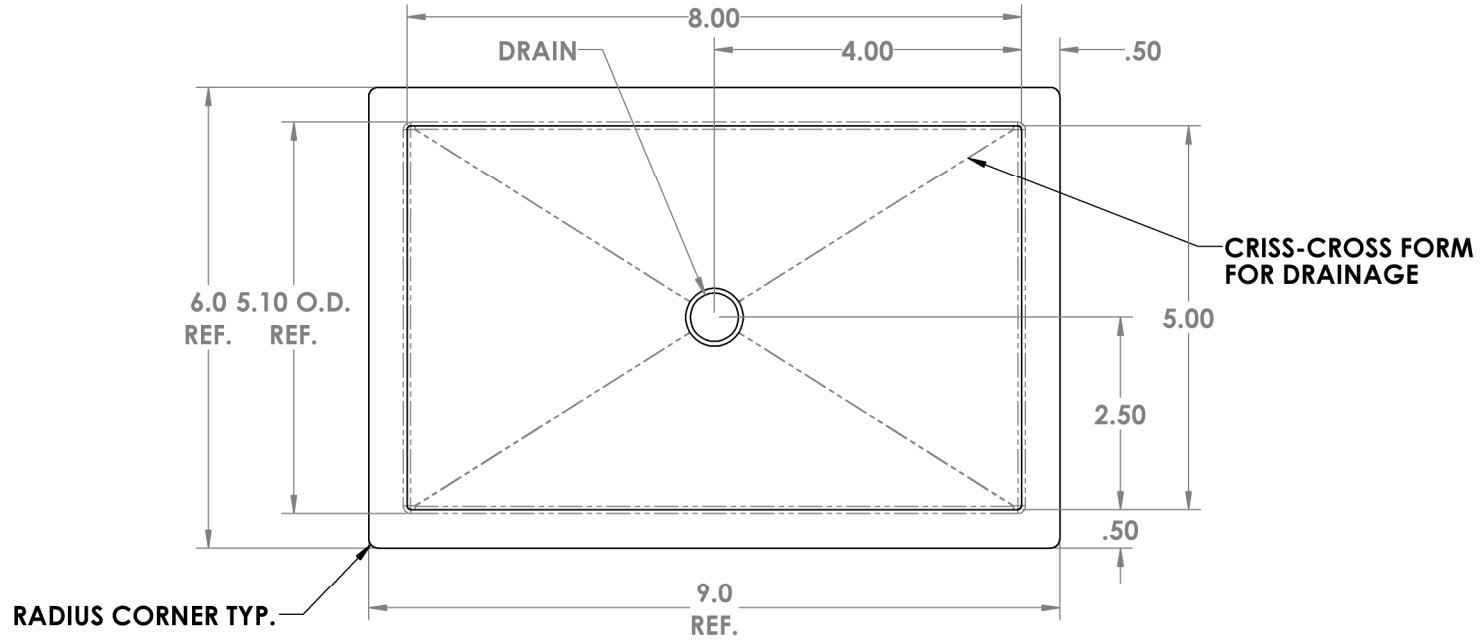


CHANGE DIMENSIONS AS NEEDED FOR CUSTOM TRAYS

REV. NO.		REVISIONS	DATE	APPROVED
ZONE	REV.	DESCRIPTION		

Precision Sheet Metal
 Design ♦ Engineering ♦ Fabrication
 www.acumetalfab.com



NOTES:
 ALL DIMENSIONS ARE INSIDE DIMENSIONS
 (UNLESS OTHERWISE NOTED)

* OPTIONAL 16 GA. PERFORATED SCREEN
 AVAILABLE ON CUSTOM TRAYS

PART # 0700-08-0

PROPRIETARY AND CONFIDENTIAL		NAME	DATE	TITLE:
THE INFORMATION CONTAINED IN THIS DRAWING IS THE SOLE PROPERTY OF ACU PRECISION SHEET METAL. ANY REPRODUCTION IN PART OR AS A WHOLE WITHOUT THE WRITTEN PERMISSION OF ACU PRECISION SHEET METAL IS PROHIBITED.		L. WILLIAMS	05/17	
DRAWN	MATERIAL		FM-D FLUSH MOUNT W/DRAIN 5" X 8"	
	16 GA. BRASS		AMERICAN COFFEE URN	
FINISH				
	#8 POLISHED			
AMERICAN COFFEE URN MANUFACTURING CO., INC		DO NOT SCALE DRAWING		