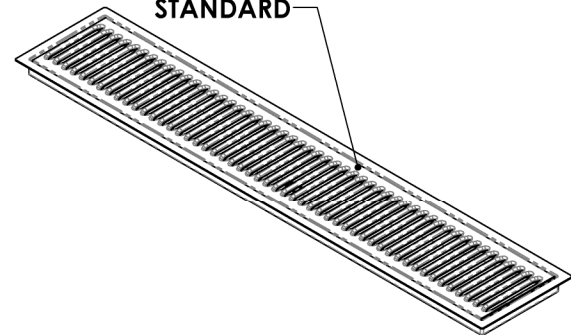
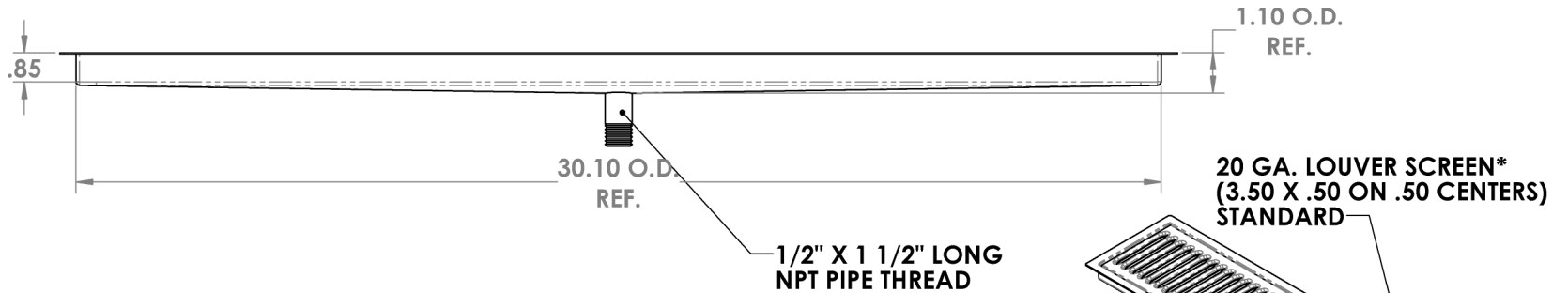
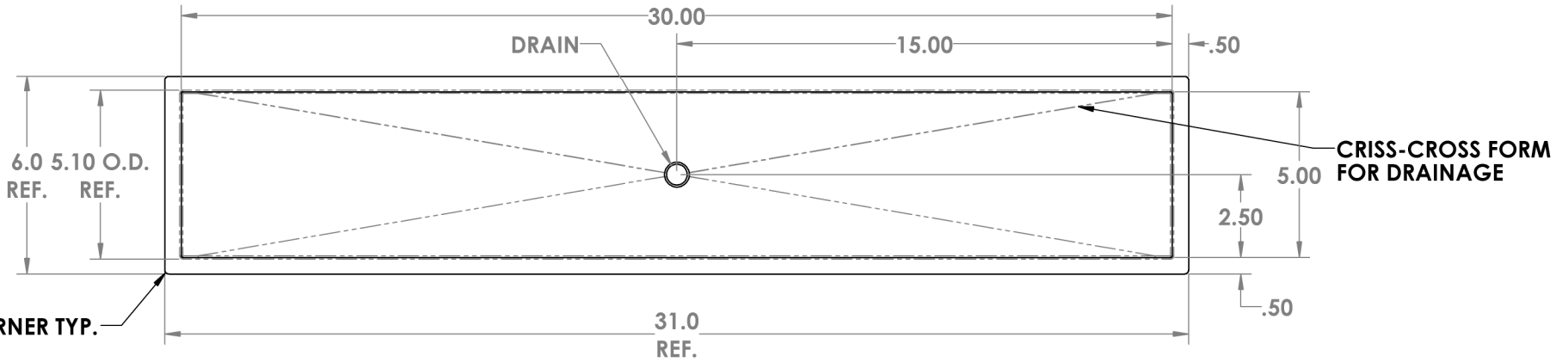


CHANGE DIMENSIONS AS NEEDED FOR CUSTOM TRAYS

		REVISIONS			
ZONE	REV.	DESCRIPTION	DATE	APPROVED	

Precision Sheet Metal
 Design ♦ Engineering ♦ Fabrication
www.acumetalfab.com



NOTES:
 ALL DIMENSIONS ARE INSIDE DIMENSIONS
 (UNLESS OTHERWISE NOTED)

* OPTIONAL 18 GA. PERFORATED SCREEN
 AVAILABLE ON CUSTOM TRAYS

PART # 80700-30-0

PROPRIETARY AND CONFIDENTIAL		NAME	DATE	TITLE: FM-D FLUSH MOUNT W/DRAIN 5" X 30"
THE INFORMATION CONTAINED IN THIS DRAWING IS THE SOLE PROPERTY OF ACU PRECISION SHEET METAL. ANY REPRODUCTION IN PART OR AS A WHOLE WITHOUT THE WRITTEN PERMISSION OF ACU PRECISION SHEET METAL IS PROHIBITED.		L. WILLIAMS	05/17	
MATERIAL		18 GA. 304 STAINLESS STEEL		
FINISH		#8 POLISHED		
AMERICAN COFFEE URN MANUFACTURING CO., INC		DO NOT SCALE DRAWING		AMERICAN COFFEE URN