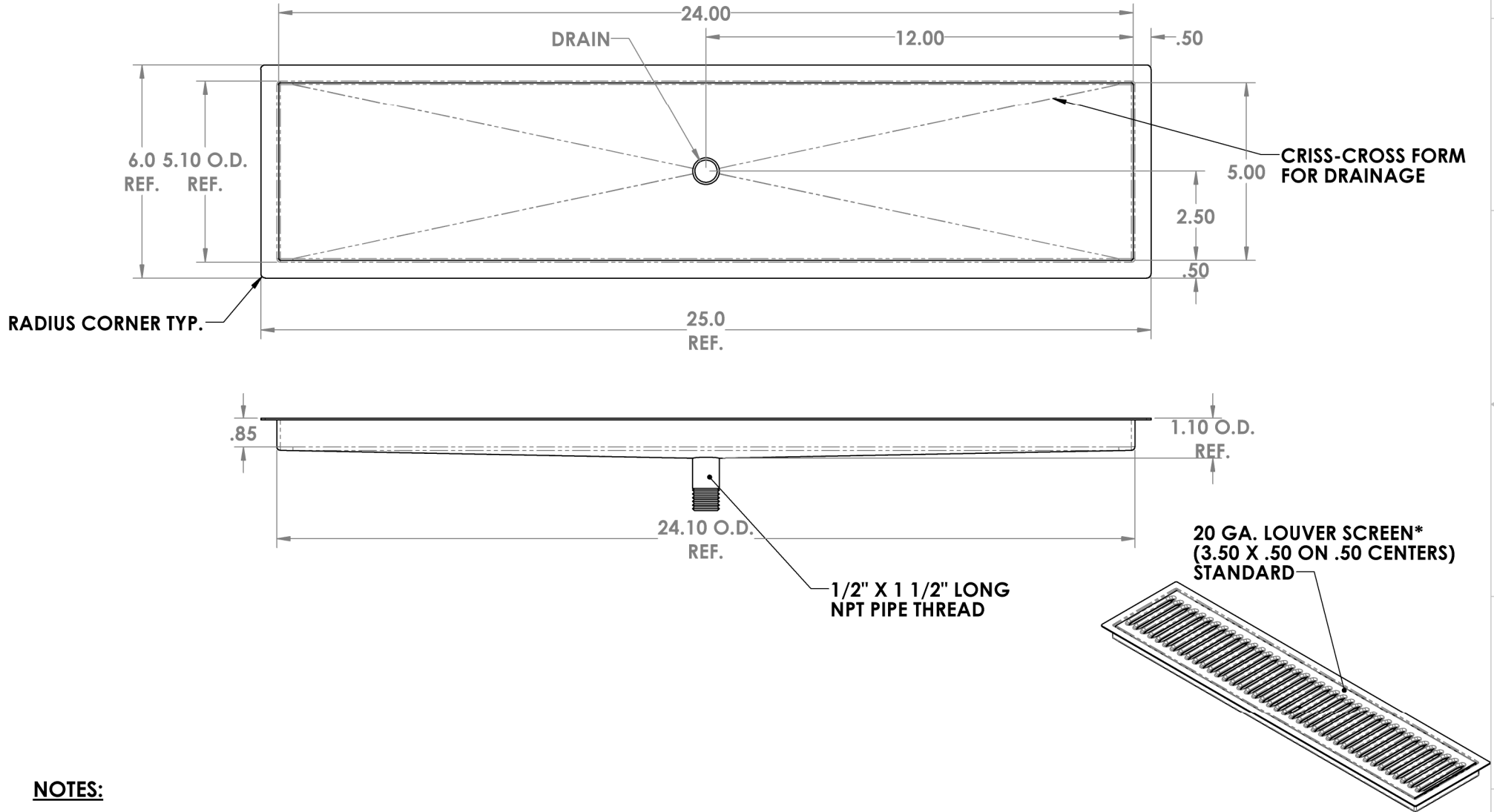


CHANGE DIMENSIONS AS NEEDED FOR CUSTOM TRAYS

| REV. NO. | | REVISIONS | DATE | APPROVED |
|----------|------|-------------|------|----------|
| ZONE | REV. | DESCRIPTION | | |
| | | | | |
| | | | | |

Precision Sheet Metal
 Design ♦ Engineering ♦ Fabrication
www.acumetalfab.com



NOTES:

ALL DIMENSIONS ARE INSIDE DIMENSIONS (UNLESS OTHERWISE NOTED)

*** OPTIONAL 18 GA. PERFORATED SCREEN AVAILABLE ON CUSTOM TRAYS**

www.acumetalfab.com

PART # 80700-24-0

| | | | | |
|--|----------------------------|----------------------|---|--------|
| PROPRIETARY AND CONFIDENTIAL | | NAME | DATE | TITLE: |
| THE INFORMATION CONTAINED IN THIS DRAWING IS THE SOLE PROPERTY OF ACU PRECISION SHEET METAL. ANY REPRODUCTION IN PART OR AS A WHOLE WITHOUT THE WRITTEN PERMISSION OF ACU PRECISION SHEET METAL IS PROHIBITED. | | L. WILLIAMS | 05/17 | |
| DRAWN | MATERIAL | | FM-D FLUSH MOUNT W/DRAIN 5" X 24" | |
| | 18 GA. 304 STAINLESS STEEL | | AMERICAN COFFEE URN | |
| FINISH | | | | |
| | #8 POLISHED | | | |
| ACU PRECISION SHEET METAL IS : AMERICAN COFFEE URN MANUFACTURING CO., INC | | DO NOT SCALE DRAWING | | |