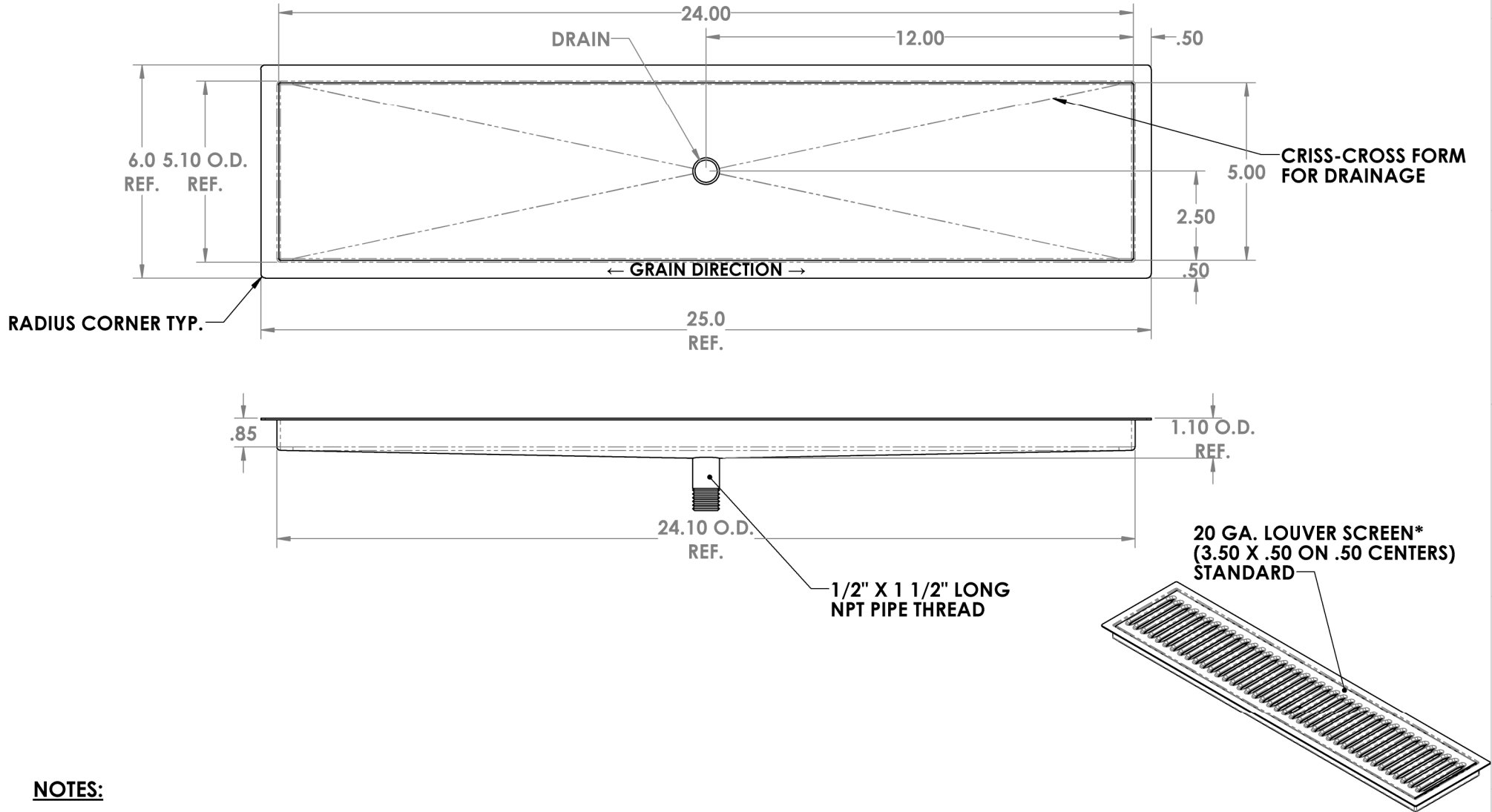


**CHANGE DIMENSIONS AS NEEDED FOR CUSTOM TRAYS**

		REVISIONS			
ZONE	REV.	DESCRIPTION	DATE	APPROVED	

**Precision Sheet Metal**  
 Design ♦ Engineering ♦ Fabrication  
 www.acumetalfab.com



**NOTES:**

**ALL DIMENSIONS ARE INSIDE DIMENSIONS (UNLESS OTHERWISE NOTED)**

**\* OPTIONAL 18 GA. PERFORATED SCREEN AVAILABLE ON CUSTOM TRAYS**

**www.acumetalfab.com**

**PART # 0200-24-0**

PROPRIETARY AND CONFIDENTIAL		NAME	DATE	TITLE: <b>FM-D FLUSH MOUNT W/DRAIN 5" X 24"</b> <b>AMERICAN COFFEE URN</b>
THE INFORMATION CONTAINED IN THIS DRAWING IS THE SOLE PROPERTY OF ACU PRECISION SHEET METAL. ANY REPRODUCTION IN PART OR AS A WHOLE WITHOUT THE WRITTEN PERMISSION OF ACU PRECISION SHEET METAL IS PROHIBITED.		L. WILLIAMS	05/17	
ACU PRECISION SHEET METAL IS : AMERICAN COFFEE URN MANUFACTURING CO., INC		MATERIAL	18 GA. 304 STAINLESS STEEL	
DO NOT SCALE DRAWING		FINISH	#4 BRUSHED	