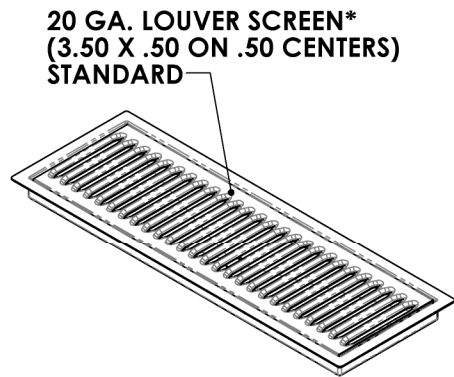
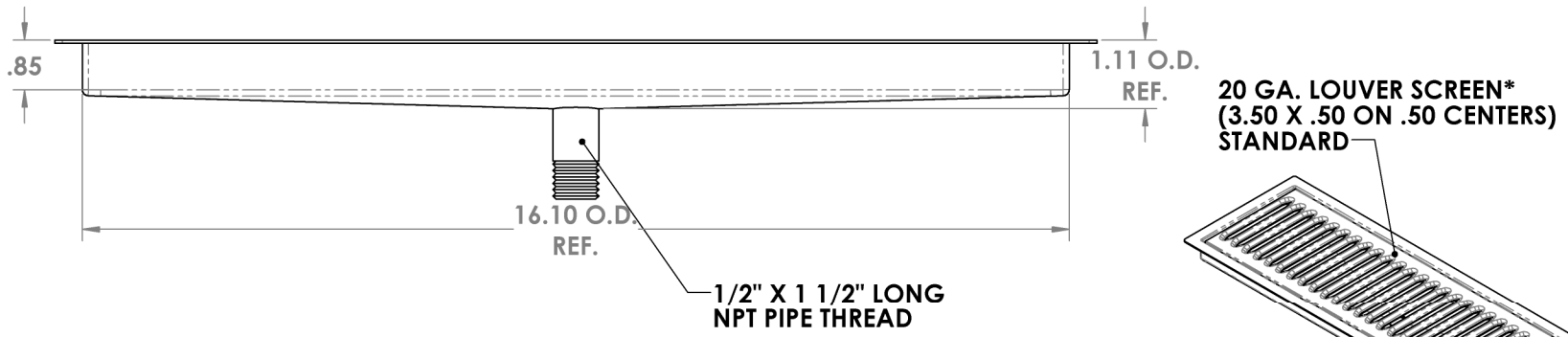
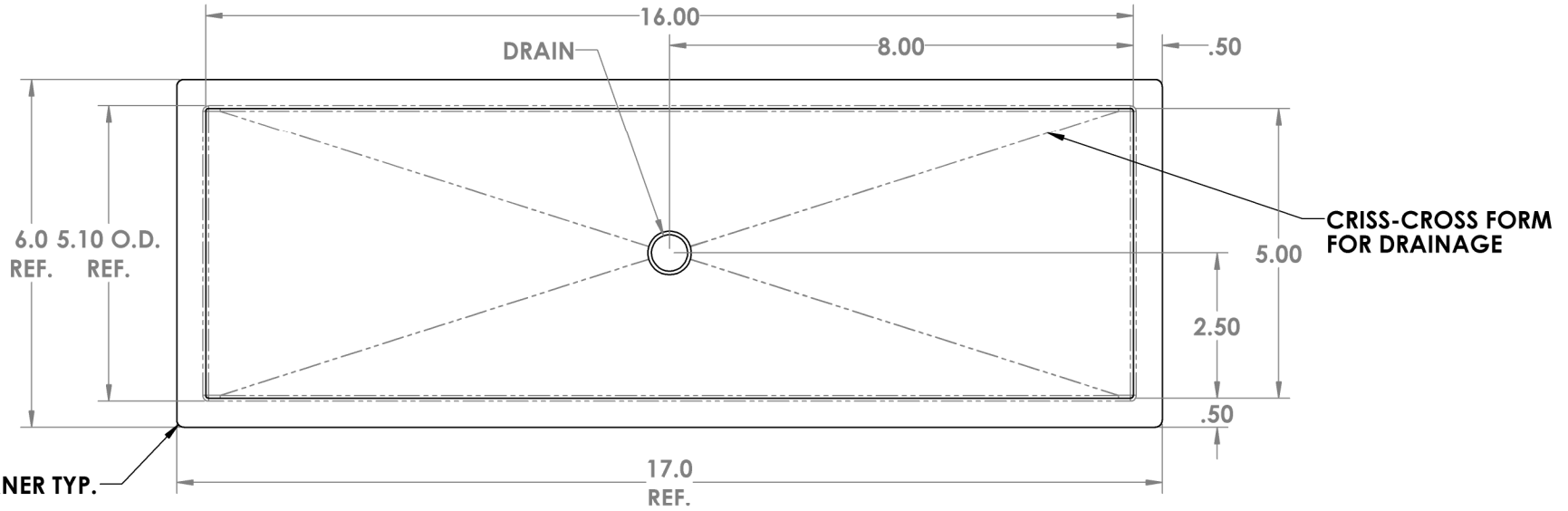


CHANGE DIMENSIONS AS NEEDED FOR CUSTOM TRAYS

		REVISIONS			
ZONE	REV.	DESCRIPTION	DATE	APPROVED	

Precision Sheet Metal
 Design ♦ Engineering ♦ Fabrication
 www.acumetalfab.com



NOTES:
 ALL DIMENSIONS ARE INSIDE DIMENSIONS
 (UNLESS OTHERWISE NOTED)

* OPTIONAL 16 GA. PERFORATED SCREEN
 AVAILABLE ON CUSTOM TRAYS

PART # 0700-16-0

PROPRIETARY AND CONFIDENTIAL		NAME	DATE	TITLE:
THE INFORMATION CONTAINED IN THIS DRAWING IS THE SOLE PROPERTY OF ACU PRECISION SHEET METAL. ANY REPRODUCTION IN PART OR AS A WHOLE WITHOUT THE WRITTEN PERMISSION OF ACU PRECISION SHEET METAL IS PROHIBITED.		L. WILLIAMS	05/17	
MATERIAL	16 GA. BRASS		FM-D FLUSH MOUNT W/DRAIN 5" X 16"	
FINISH	#8 POLISHED			
AMERICAN COFFEE URN MANUFACTURING CO., INC			AMERICAN COFFEE URN	