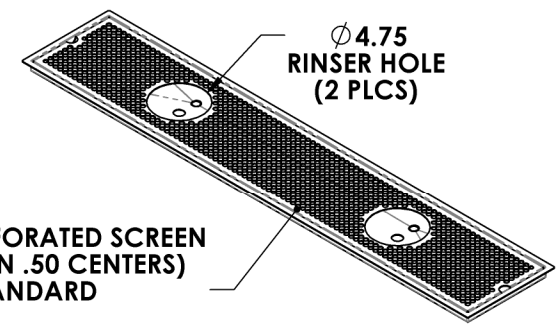
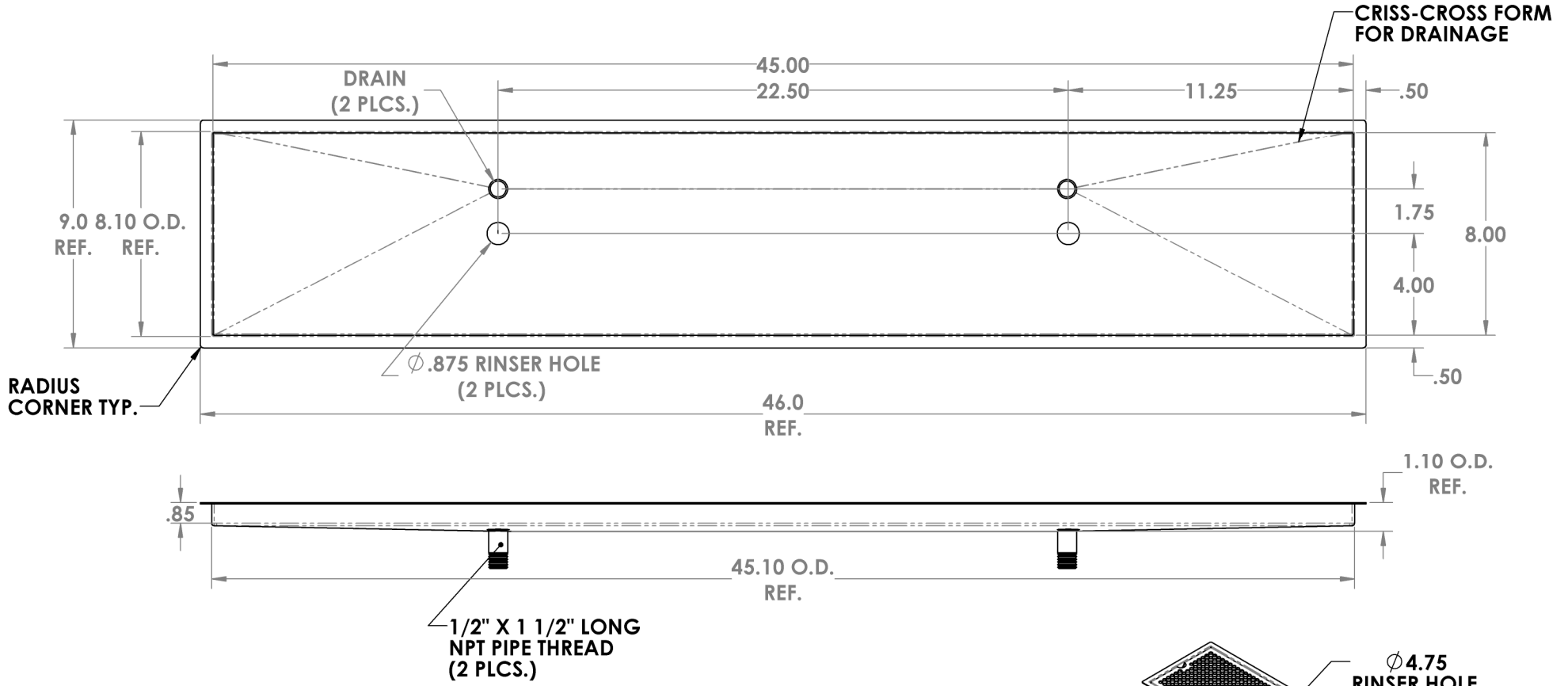


CHANGE DIMENSIONS AS NEEDED FOR CUSTOM TRAYS

		REVISIONS			
IONE	REV.	DESCRIPTION	DATE	APPROVED	

Precision Sheet Metal
 Design ♦ Engineering ♦ Fabrication
 www.acumetalfab.com



NOTES:

ALL DIMENSIONS ARE INSIDE DIMENSIONS (UNLESS OTHERWISE NOTED)

***RINSER HARDWARE NOT INCLUDED : SOLD SEPARATELY**

PART # 80708-45-6

PROPRIETARY AND CONFIDENTIAL
 THE INFORMATION CONTAINED IN THIS DRAWING IS THE SOLE PROPERTY OF ACU PRECISION SHEET METAL. ANY REPRODUCTION IN PART OR AS A WHOLE WITHOUT THE WRITTEN PERMISSION OF ACU PRECISION SHEET METAL IS PROHIBITED.
 AMERICAN COFFEE URN MANUFACTURING CO., INC

	NAME	DATE
DRAWN	L. WILLIAMS	05/17
MATERIAL	18 GA. 304 STAINLESS STEEL	
FINISH	#8 POLISHED	

TITLE:
FM-DDR FLUSH MOUNT W/DOUBLE DRAINS & RINSER HOLES* 8" X 45"
AMERICAN COFFEE URN