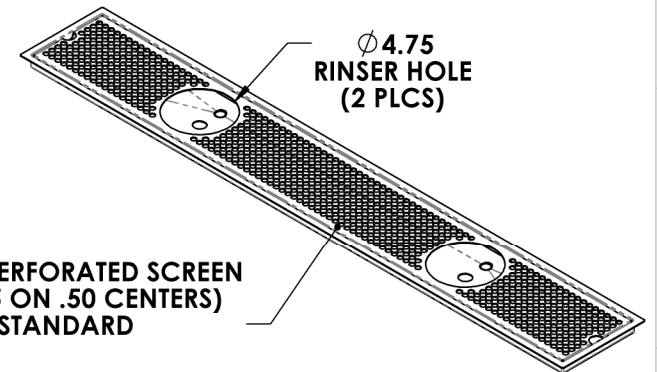
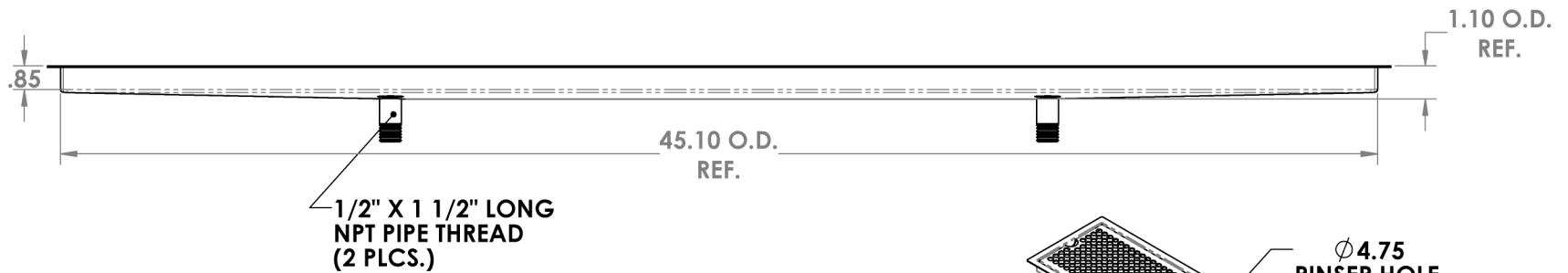
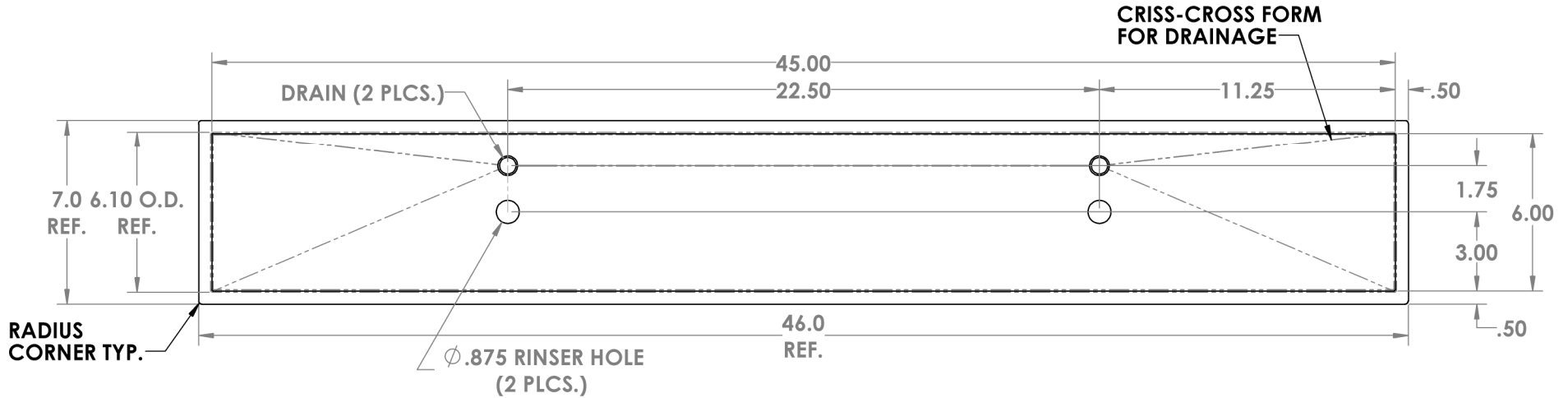


**CHANGE DIMENSIONS AS NEEDED FOR CUSTOM TRAYS**

		REVISIONS			
IONE	REV.	DESCRIPTION	DATE	APPROVED	

**Precision Sheet Metal**  
 Design ♦ Engineering ♦ Fabrication  
 www.acumetalfab.com



**NOTES:**

ALL DIMENSIONS ARE INSIDE DIMENSIONS (UNLESS OTHERWISE NOTED)

\*RINSER HARDWARE NOT INCLUDED : SOLD SEPARATELY

**PROPRIETARY AND CONFIDENTIAL**

THE INFORMATION CONTAINED IN THIS DRAWING IS THE SOLE PROPERTY OF ACU PRECISION SHEET METAL. ANY REPRODUCTION IN PART OR AS A WHOLE WITHOUT THE WRITTEN PERMISSION OF ACU PRECISION SHEET METAL IS PROHIBITED.

ACU PRECISION SHEET METAL IS : AMERICAN COFFEE URN MANUFACTURING CO., INC

	NAME	DATE
<b>DRAWN</b>	L. WILLIAMS	05/17
<b>MATERIAL</b>	16 GA. BRASS	
<b>FINISH</b>	#8 POLISHED	

TITLE:
<b>FM-DDR FLUSH MOUNT W/DOUBLE DRAINS &amp; RINSER HOLES* 6" X 45"</b>
<b>AMERICAN COFFEE URN</b>

**PART # 0706-45-6**