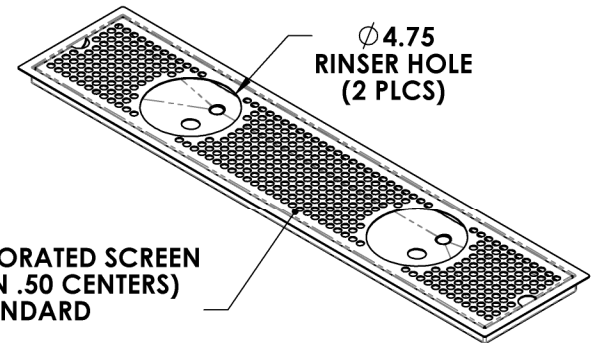
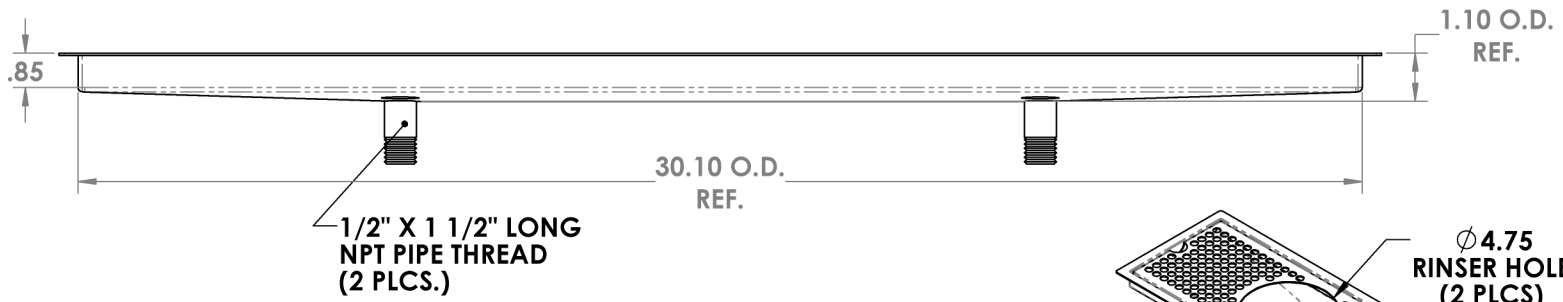
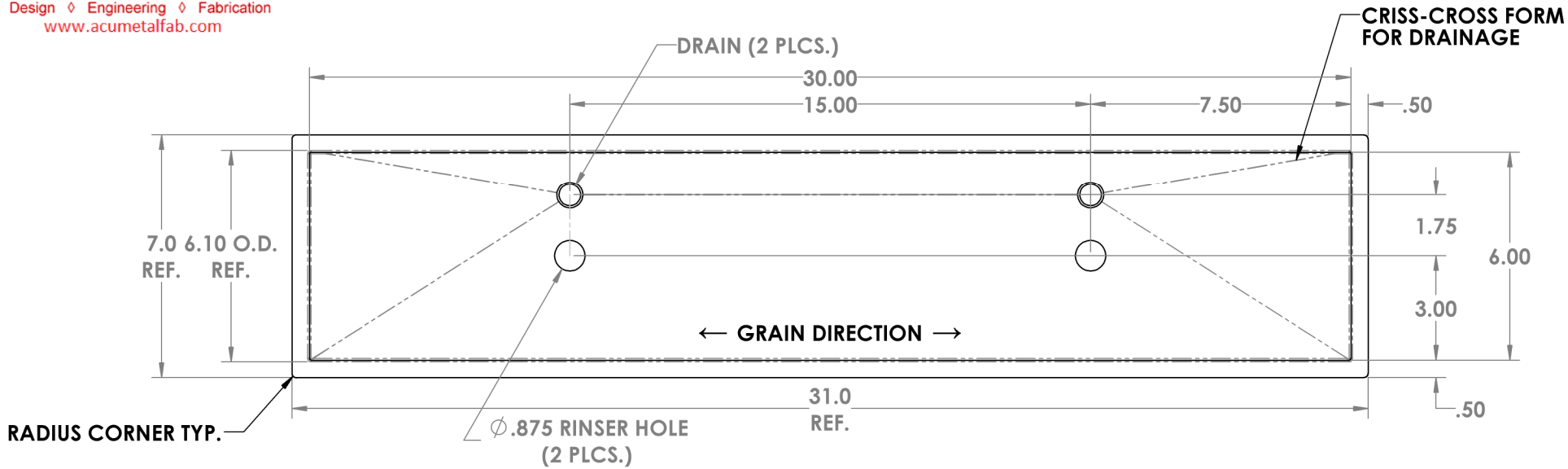


**CHANGE DIMENSIONS AS NEEDED FOR CUSTOM TRAYS**

REVISIONS		DATE	APPROVED
ZONE	REV.	DESCRIPTION	



**NOTES:**

ALL DIMENSIONS ARE INSIDE DIMENSIONS (UNLESS OTHERWISE NOTED)

\*RINSER HARDWARE NOT INCLUDED : SOLD SEPARATELY

**PART # 0206-30-6**

PROPRIETARY AND CONFIDENTIAL  
 THE INFORMATION CONTAINED IN THIS DRAWING IS THE SOLE PROPERTY OF ACU PRECISION SHEET METAL. ANY REPRODUCTION IN PART OR AS A WHOLE WITHOUT THE WRITTEN PERMISSION OF ACU PRECISION SHEET METAL IS PROHIBITED.  
 AMERICAN COFFEE URN MANUFACTURING CO., INC

	NAME	DATE
DRAWN	L. WILLIAMS	05/17
MATERIAL	18 GA. 304 STAINLESS STEEL	
FINISH	#4 BRUSHED	

TITLE:
<b>FM-DDR FLUSH MOUNT W/DOUBLE DRAINS &amp; RINSER HOLES* 6" X 30"</b>
<b>AMERICAN COFFEE URN</b>