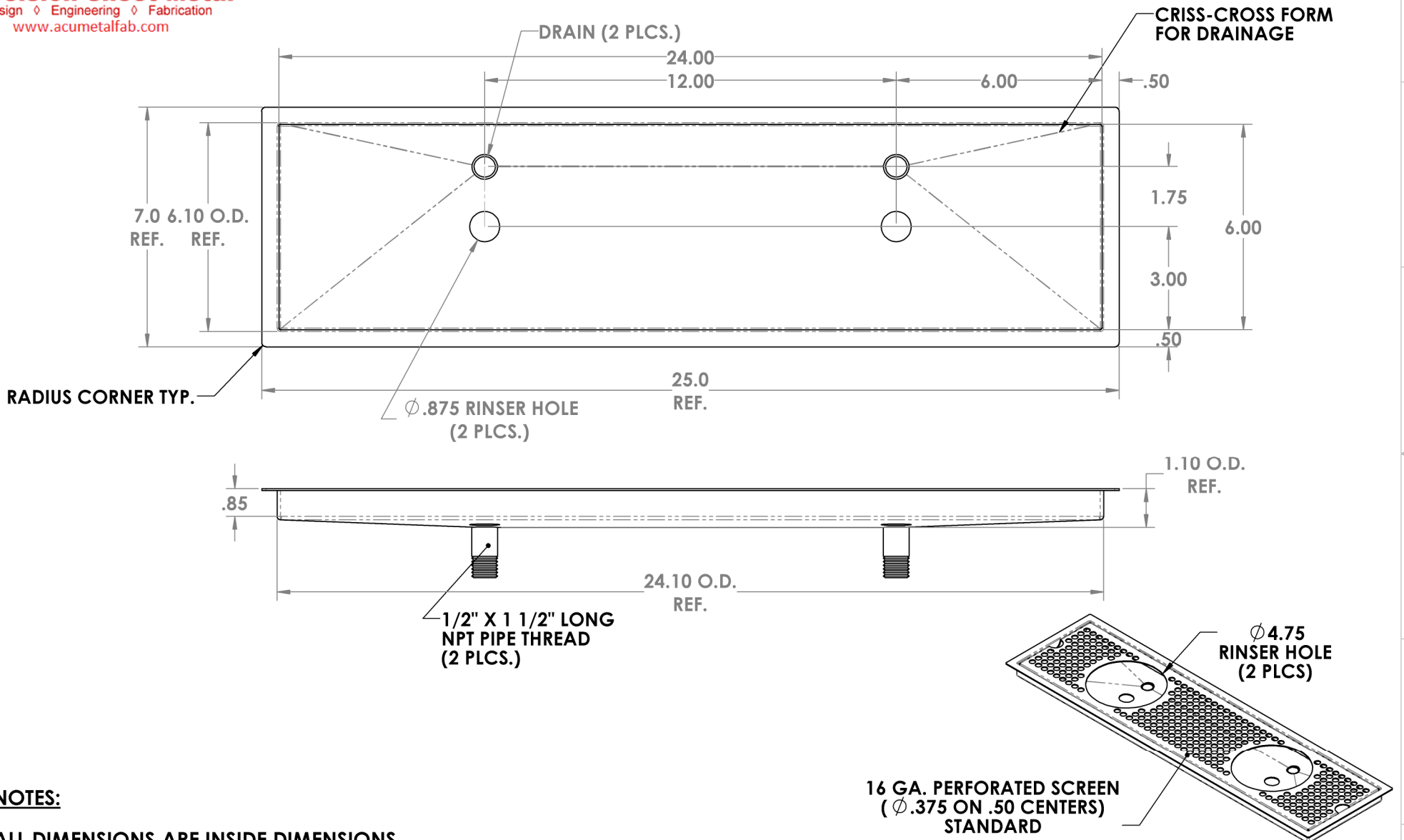


**CHANGE DIMENSIONS AS NEEDED FOR CUSTOM TRAYS**

| REV. NO. |  | REVISIONS | DATE | APPROVED |
|----------|--|-----------|------|----------|
|          |  |           |      |          |
|          |  |           |      |          |
|          |  |           |      |          |



**NOTES:**

**ALL DIMENSIONS ARE INSIDE DIMENSIONS (UNLESS OTHERWISE NOTED)**

**\*RINSER HARDWARE NOT INCLUDED : SOLD SEPARATELY**

**PART # 0706-24-6**

**PROPRIETARY AND CONFIDENTIAL**

THE INFORMATION CONTAINED IN THIS DRAWING IS THE SOLE PROPERTY OF ACU PRECISION SHEET METAL. ANY REPRODUCTION IN PART OR AS A WHOLE WITHOUT THE WRITTEN PERMISSION OF ACU PRECISION SHEET METAL IS PROHIBITED.

ACU PRECISION SHEET METAL IS : AMERICAN COFFEE URN MANUFACTURING CO., INC

|                 | NAME         | DATE  |
|-----------------|--------------|-------|
| <b>DRAWN</b>    | L. WILLIAMS  | 05/17 |
| <b>MATERIAL</b> | 16 GA. BRASS |       |
| <b>FINISH</b>   | #8 POLISHED  |       |

| TITLE:   |
|--|
| <b>FM-DDR FLUSH MOUNT W/DOUBLE DRAINS &amp; RINSER HOLES* 6" X 24"</b> |
| <b>AMERICAN COFFEE URN</b>   |