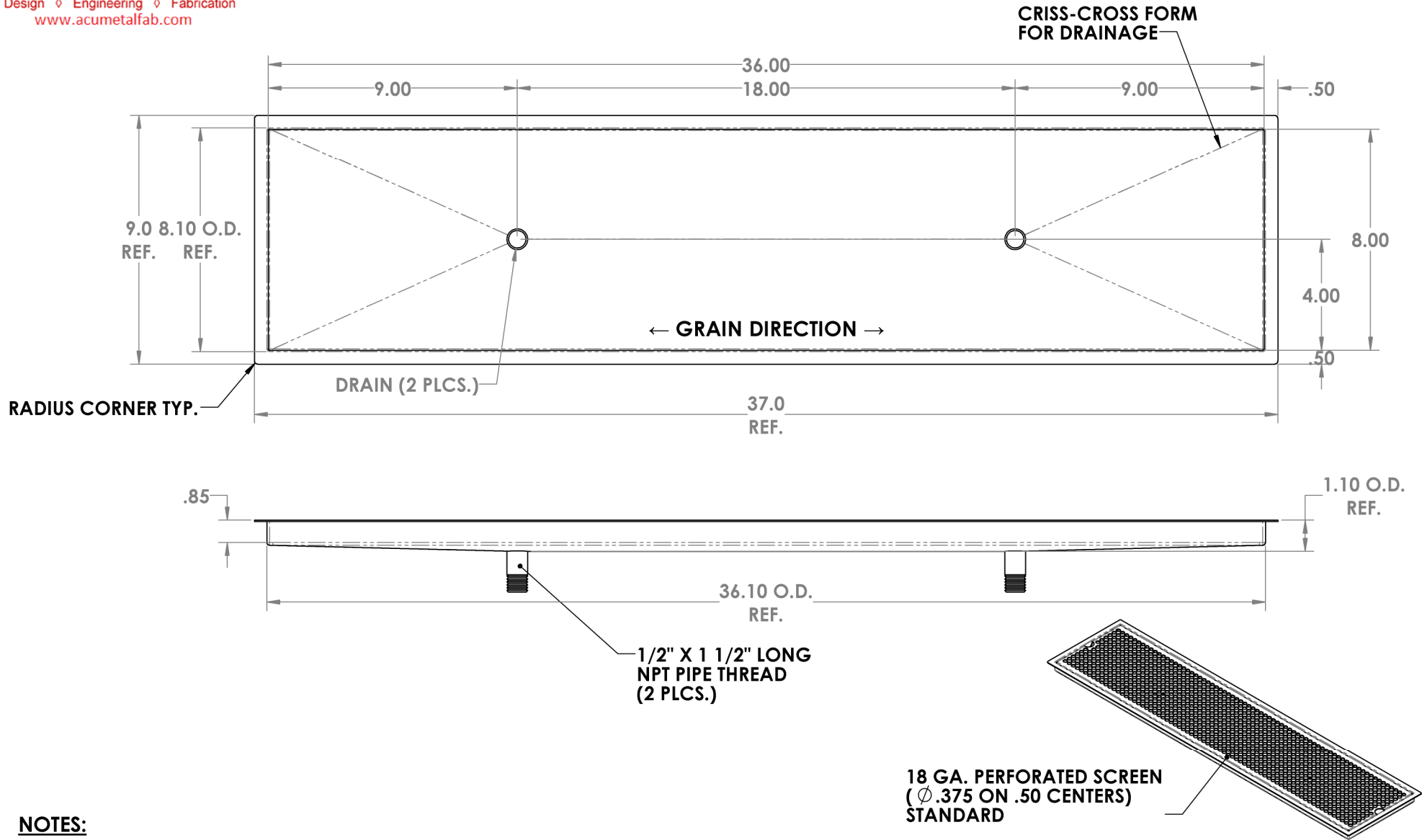


CHANGE DIMENSIONS AS NEEDED FOR CUSTOM TRAYS

I/O	REV.	REVISIONS		DATE	APPROVED
		DESCRIPTION			

Precision Sheet Metal
 Design ♦ Engineering ♦ Fabrication
 www.acumetalfab.com



NOTES:
 ALL DIMENSIONS ARE INSIDE DIMENSIONS
 (UNLESS OTHERWISE NOTED)

PART # 0208-36-2

PROPRIETARY AND CONFIDENTIAL		NAME	DATE	TITLE: FM-DD FLUSH MOUNT W/DBL. DRAIN 8" X 36"
THE INFORMATION CONTAINED IN THIS DRAWING IS THE SOLE PROPERTY OF ACU PRECISION SHEET METAL. ANY REPRODUCTION IN PART OR AS A WHOLE WITHOUT THE WRITTEN PERMISSION OF ACU PRECISION SHEET METAL IS PROHIBITED.		L. WILLIAMS	05/17	
MATERIAL		18 GA. 304 STAINLESS STEEL		
FINISH		#4 BRUSHED		
AMERICAN COFFEE URN MANUFACTURING CO., INC.		DO NOT SCALE DRAWING		AMERICAN COFFEE URN