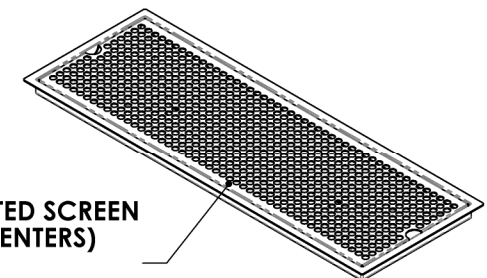
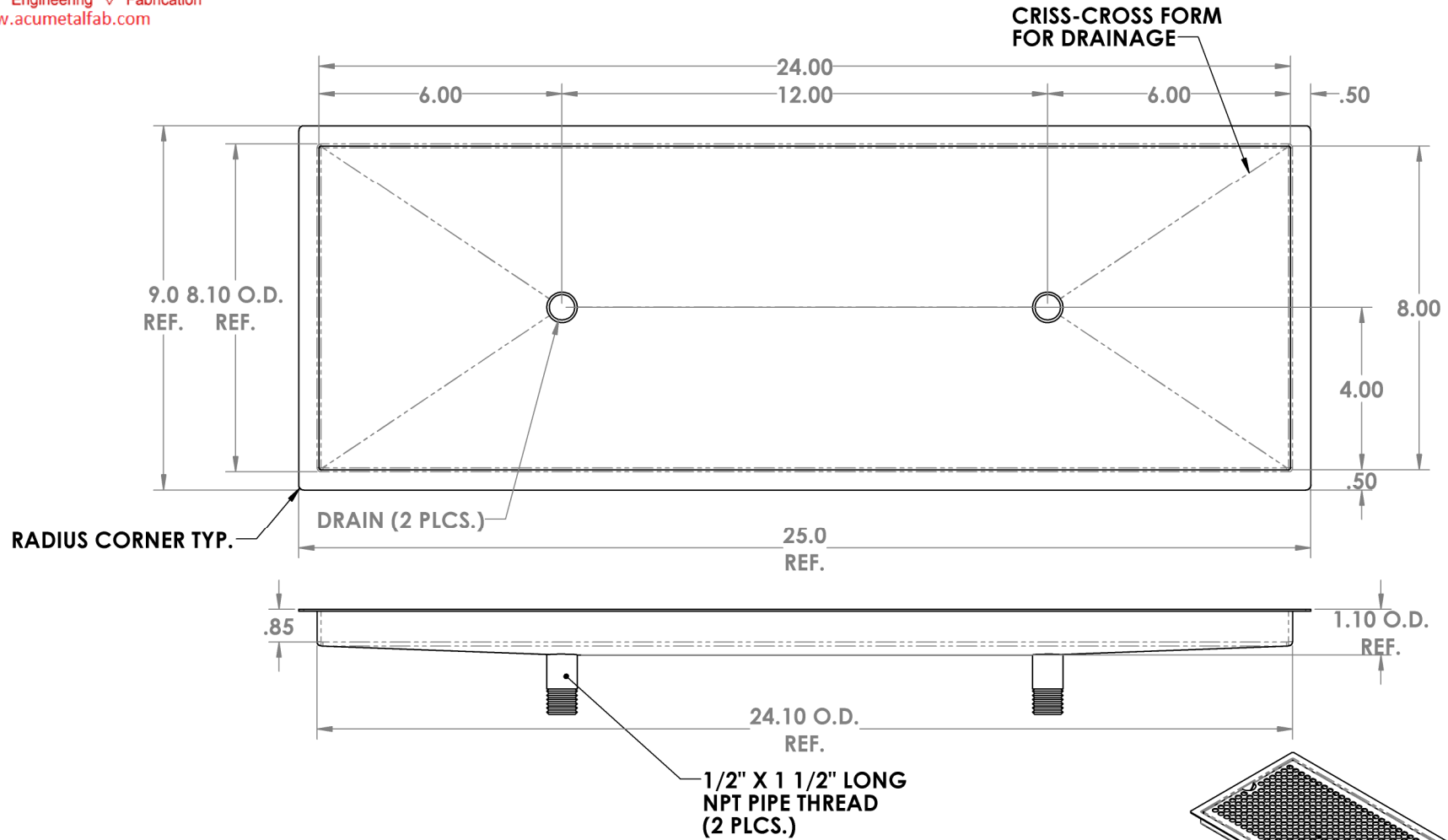


CHANGE DIMENSIONS AS NEEDED FOR CUSTOM TRAYS

| REV. NO. | | REVISIONS | DATE | APPROVED |
|----------|--|-----------|------|----------|
| | | | | |
| | | | | |

Precision Sheet Metal
 Design ♦ Engineering ♦ Fabrication
 www.acumetalfab.com



16 GA. PERFORATED SCREEN
 (Ø .375 ON .50 CENTERS)
 STANDARD

PART # 0708-24-2

NOTES:
 ALL DIMENSIONS ARE INSIDE DIMENSIONS
 (UNLESS OTHERWISE NOTED)

PROPRIETARY AND CONFIDENTIAL
 THE INFORMATION CONTAINED IN THIS DRAWING IS THE SOLE PROPERTY OF ACU PRECISION SHEET METAL. ANY REPRODUCTION IN PART OR AS A WHOLE WITHOUT THE WRITTEN PERMISSION OF ACU PRECISION SHEET METAL IS PROHIBITED.
 AMERICAN COFFEE URN MANUFACTURING CO., INC

| | NAME | DATE | TITLE: |
|-----------------|--------------|-------|--|
| DRAWN | L. WILLIAMS | 05/17 | FM-DD FLUSH MOUNT W/DBL. DRAIN 8" X 24" |
| MATERIAL | 16 GA. BRASS | | |
| FINISH | #8 POLISHED | | |
| | | | AMERICAN COFFEE URN |