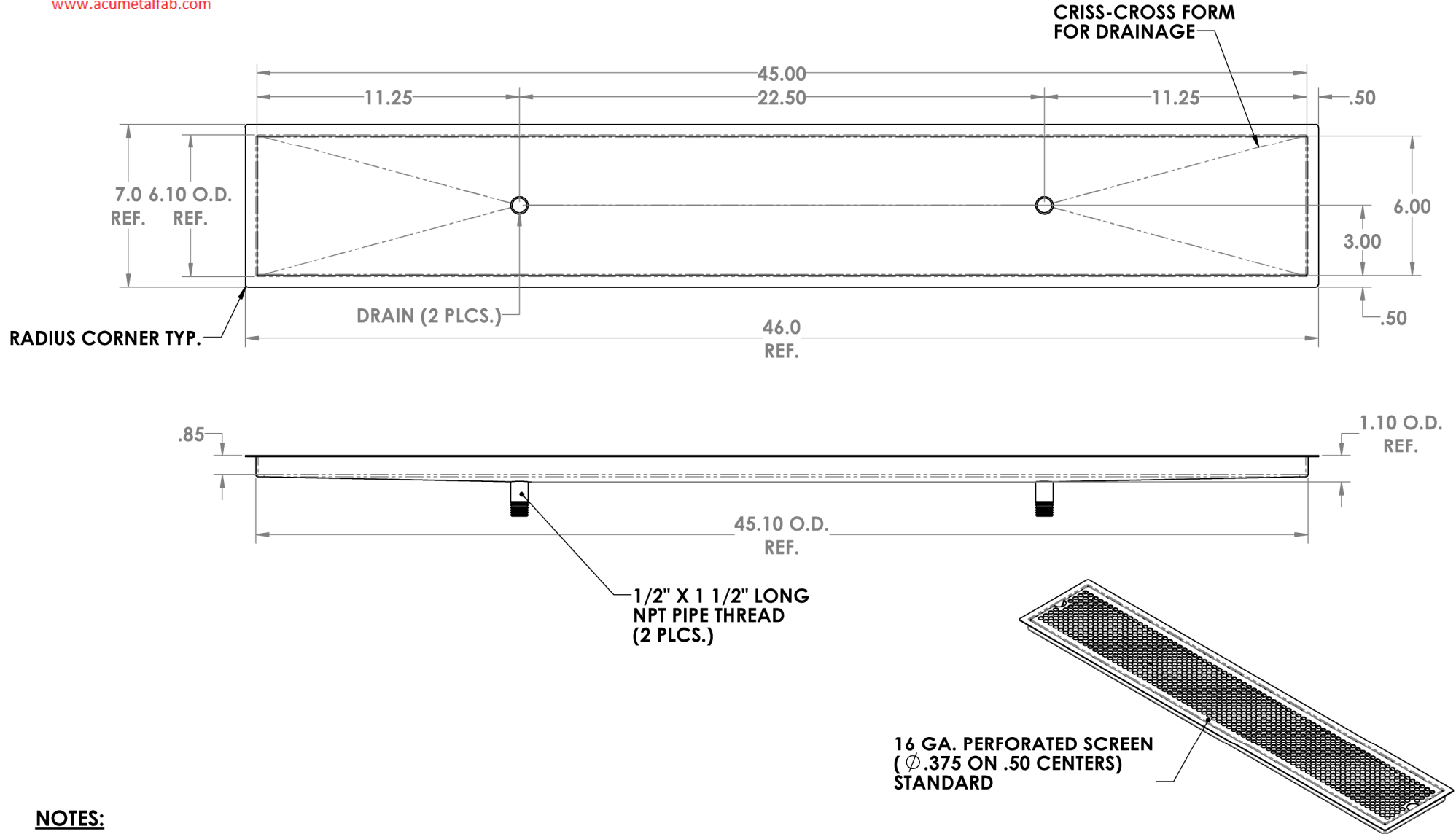


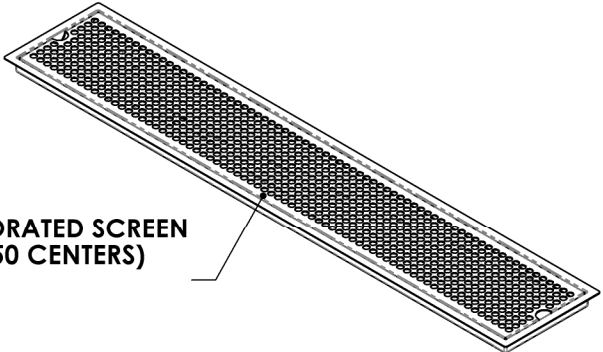
**CHANGE DIMENSIONS AS NEEDED FOR CUSTOM TRAYS**

REV. NO.		REVISIONS	DATE	APPROVED
DATE	DESCRIPTION			

**Precision Sheet Metal**  
 Design ♦ Engineering ♦ Fabrication  
 www.acumetalfab.com



**NOTES:**  
 ALL DIMENSIONS ARE INSIDE DIMENSIONS  
 (UNLESS OTHERWISE NOTED)



**16 GA. PERFORATED SCREEN  
 (Ø .375 ON .50 CENTERS)  
 STANDARD**

**PART # 0706-45-2**

PROPRIETARY AND CONFIDENTIAL THE INFORMATION CONTAINED IN THIS DRAWING IS THE SOLE PROPERTY OF ACU PRECISION SHEET METAL. ANY REPRODUCTION IN PART OR AS A WHOLE WITHOUT THE WRITTEN PERMISSION OF ACU PRECISION SHEET METAL IS PROHIBITED. AMERICAN COFFEE URN MANUFACTURING CO., INC.	NAME	DATE	TITLE:	
	DRAWN	L. WILLIAMS		05/17
	MATERIAL	16 GA. BRASS		<b>FM-DD                  FLUSH MOUNT W/DBL. DRAIN                  6" X 45"</b>
	FINISH	#8 POLISHED		
DO NOT SCALE DRAWING				