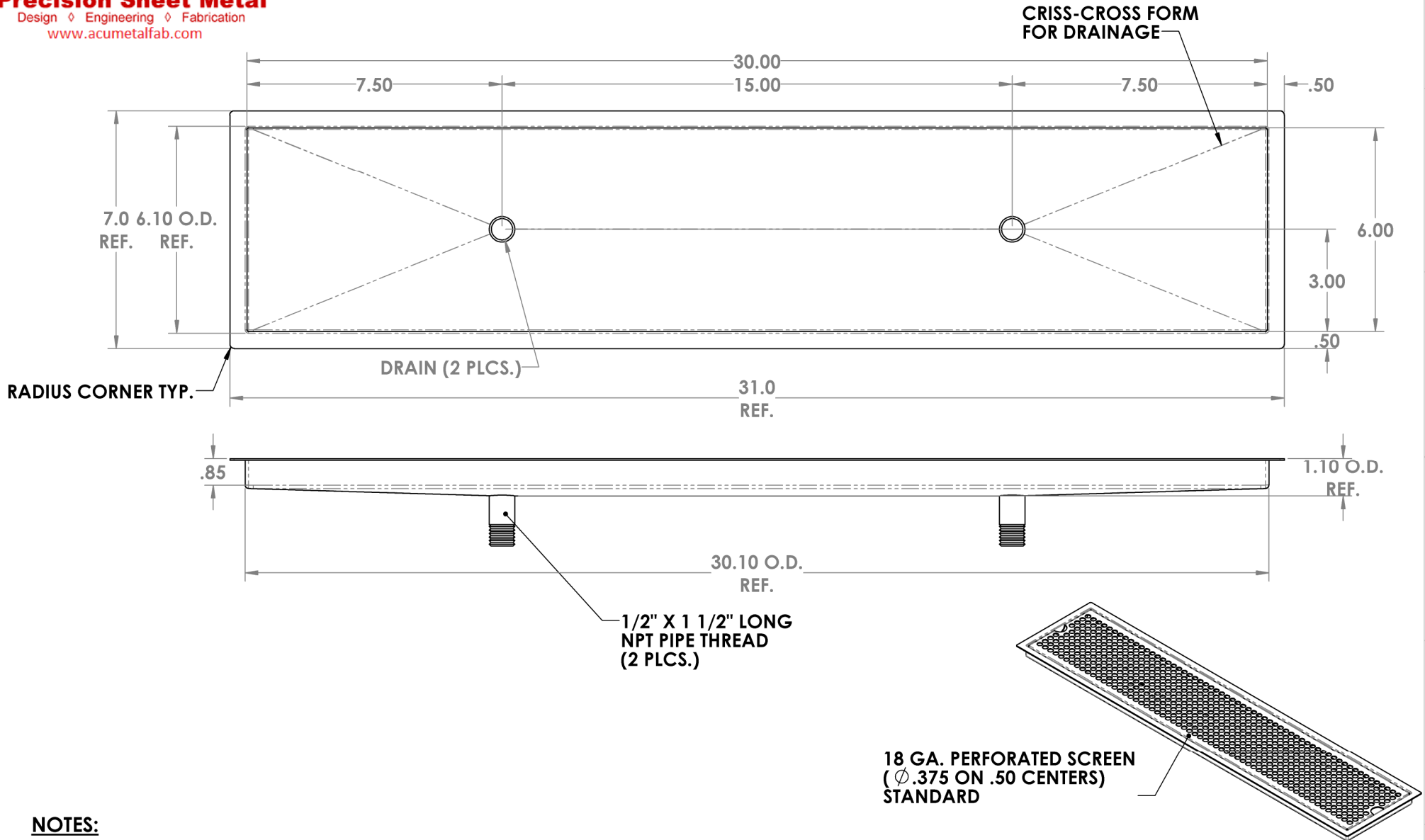


CHANGE DIMENSIONS AS NEEDED FOR CUSTOM TRAYS

REV. NO.		REVISIONS	DATE	APPROVED

Precision Sheet Metal
 Design ♦ Engineering ♦ Fabrication
 www.acumetalfab.com



NOTES:
 ALL DIMENSIONS ARE INSIDE DIMENSIONS
 (UNLESS OTHERWISE NOTED)

PART # 80706-30-2

PROPRIETARY AND CONFIDENTIAL		NAME	DATE	TITLE:
THE INFORMATION CONTAINED IN THIS DRAWING IS THE SOLE PROPERTY OF ACU PRECISION SHEET METAL. ANY REPRODUCTION IN PART OR AS A WHOLE WITHOUT THE WRITTEN PERMISSION OF ACU PRECISION SHEET METAL IS PROHIBITED.		L. WILLIAMS	05/17	
AMERICAN COFFEE URN MANUFACTURING CO., INC.		MATERIAL	18 GA. 304 STAINLESS STEEL	FM-DD FLUSH MOUNT W/DBL. DRAIN 6" X 30"
DO NOT SCALE DRAWING		FINISH	#8 POLISHED	
				AMERICAN COFFEE URN