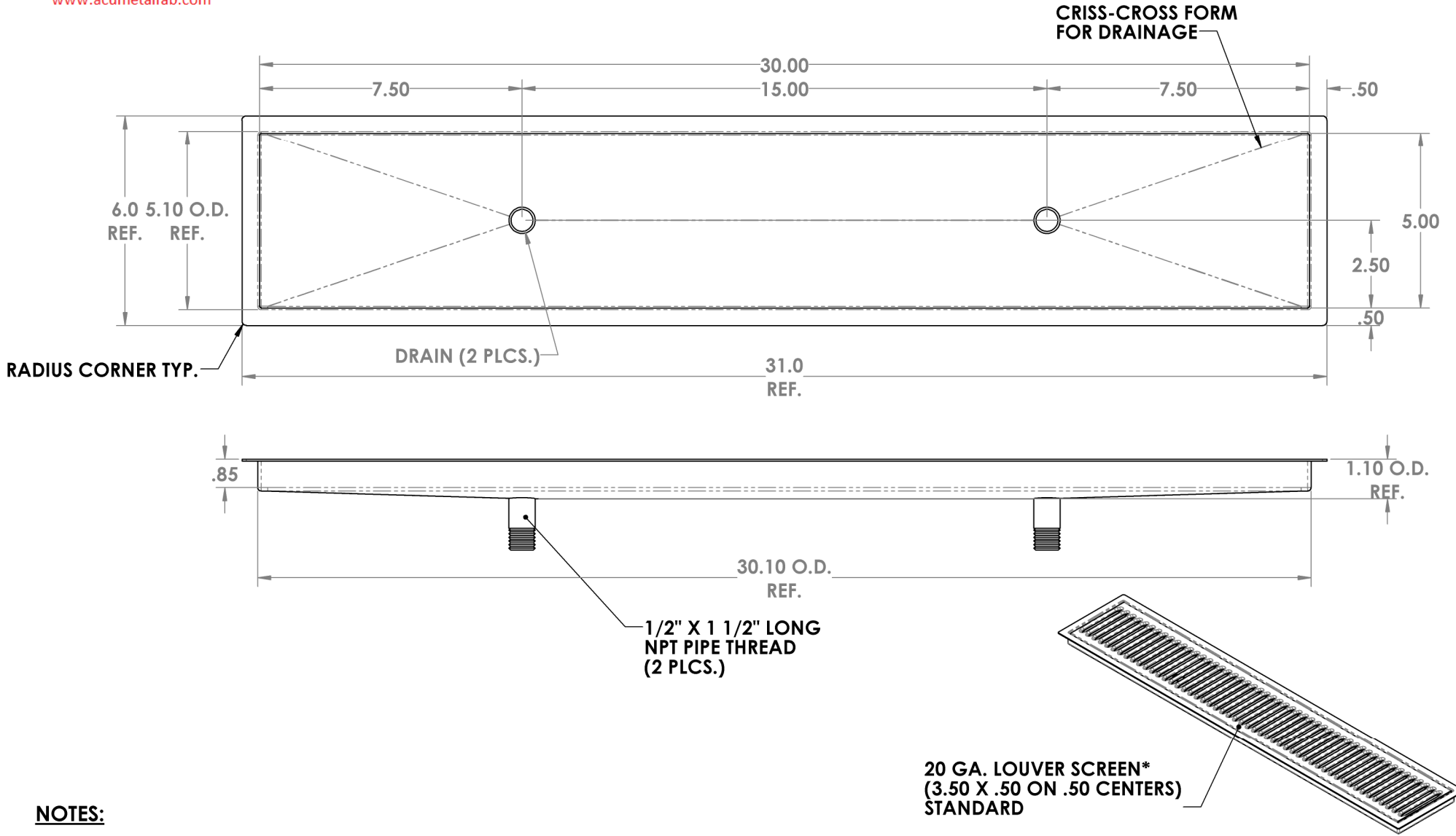


**CHANGE DIMENSIONS AS NEEDED FOR CUSTOM TRAYS**

		REVISIONS			
IONE	REV.	DESCRIPTION	DATE	APPROVED	

**Precision Sheet Metal**  
 Design ♦ Engineering ♦ Fabrication  
 www.acumetalfab.com



**NOTES:**  
 ALL DIMENSIONS ARE INSIDE DIMENSIONS (UNLESS OTHERWISE NOTED)

\* OPTIONAL 18 GA. PERFORATED SCREEN AVAILABLE ON CUSTOM TRAYS

**www.acumetalfab.com**

**PART # 80700-30-2**

PROPRIETARY AND CONFIDENTIAL		NAME		DATE	TITLE:
THE INFORMATION CONTAINED IN THIS DRAWING IS THE SOLE PROPERTY OF ACU PRECISION SHEET METAL. ANY REPRODUCTION IN PART OR AS A WHOLE WITHOUT THE WRITTEN PERMISSION OF ACU PRECISION SHEET METAL IS PROHIBITED.		L. WILLIAMS		05/17	
ACU PRECISION SHEET METAL IS : AMERICAN COFFEE URN MANUFACTURING CO., INC		MATERIAL		18 GA. 304 STAINLESS STEEL	
		FINISH		#8 POLISHED	
				FM-DD FLUSH MOUNT W/DBL. DRAIN 5" X 30"	
				AMERICAN COFFEE URN	

DO NOT SCALE DRAWING