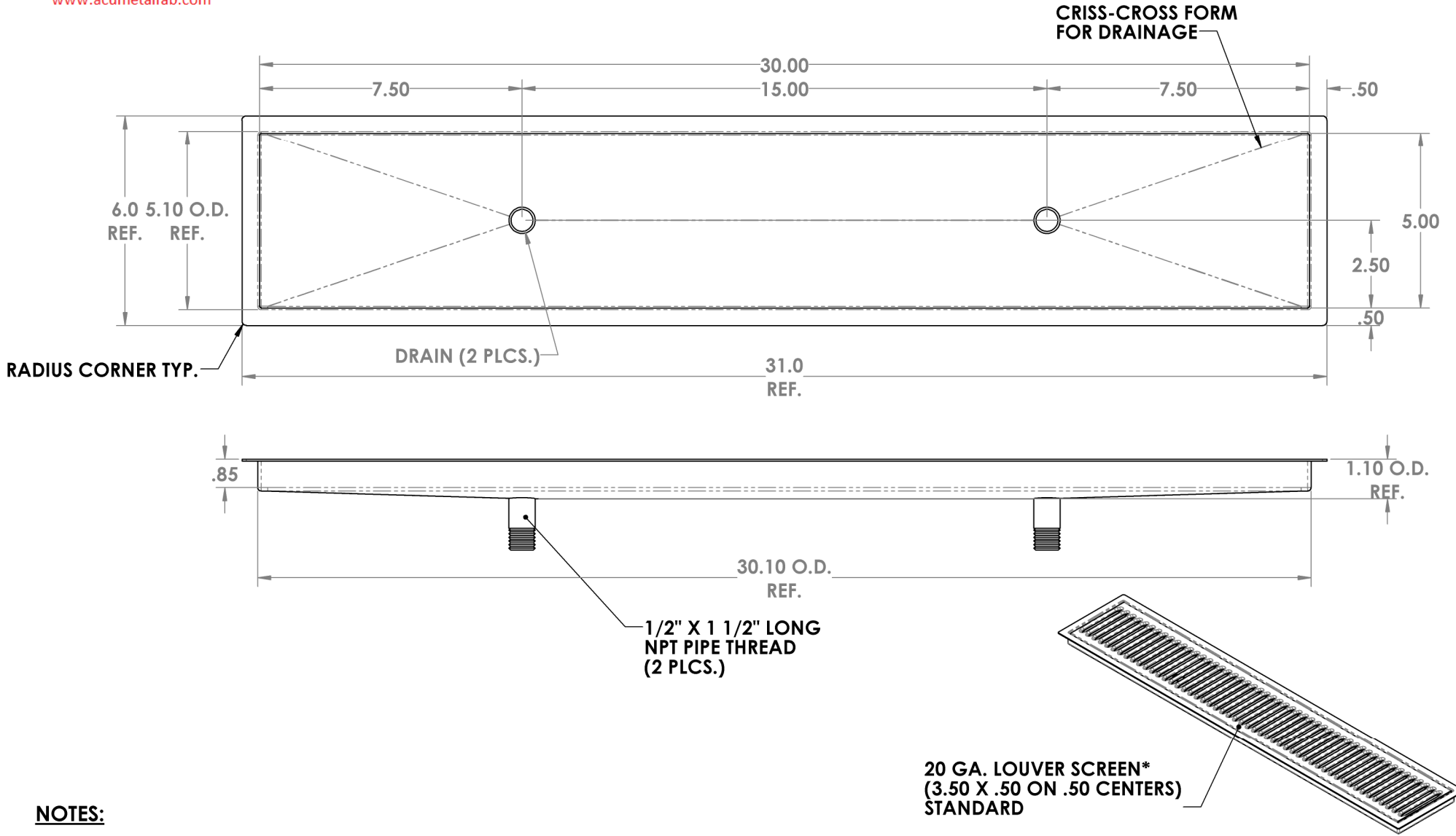


CHANGE DIMENSIONS AS NEEDED FOR CUSTOM TRAYS

REV. NO.		DESCRIPTION	DATE	APPROVED

Precision Sheet Metal
 Design ♦ Engineering ♦ Fabrication
 www.acumetalfab.com



NOTES:
 ALL DIMENSIONS ARE INSIDE DIMENSIONS (UNLESS OTHERWISE NOTED)
 * OPTIONAL 16 GA. PERFORATED SCREEN AVAILABLE ON CUSTOM TRAYS

PART # 0700-30-2

PROPRIETARY AND CONFIDENTIAL		NAME	DATE	TITLE:
THE INFORMATION CONTAINED IN THIS DRAWING IS THE SOLE PROPERTY OF ACU PRECISION SHEET METAL. ANY REPRODUCTION IN PART OR AS A WHOLE WITHOUT THE WRITTEN PERMISSION OF ACU PRECISION SHEET METAL IS PROHIBITED.		L. WILLIAMS	05/17	FM-DD FLUSH MOUNT W/DBL. DRAIN 5" X 30"
DRAWN	MATERIAL	FINISH		AMERICAN COFFEE URN
	16 GA. BRASS	#8 POLISHED		
<small>DO NOT SCALE DRAWING</small>				