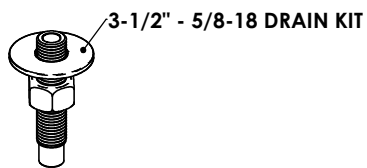
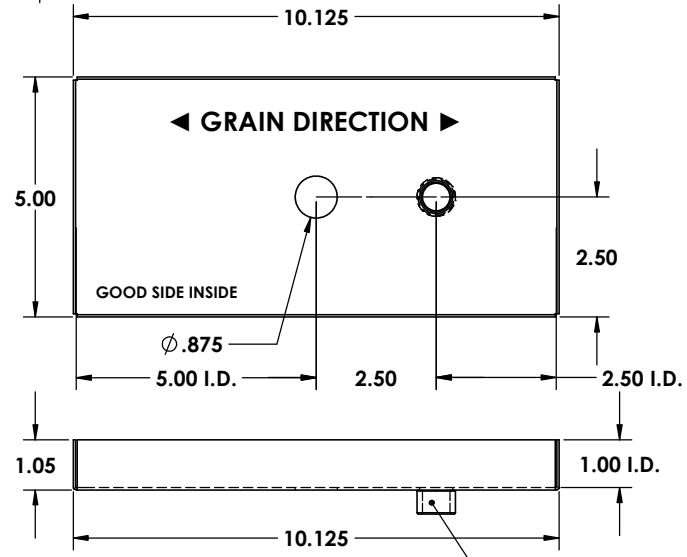
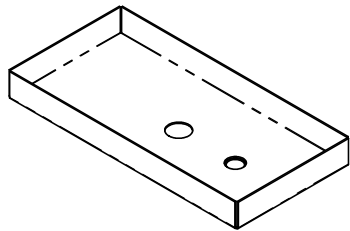
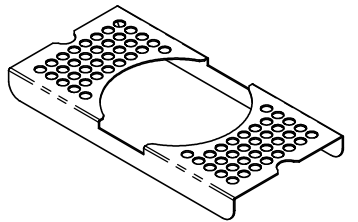
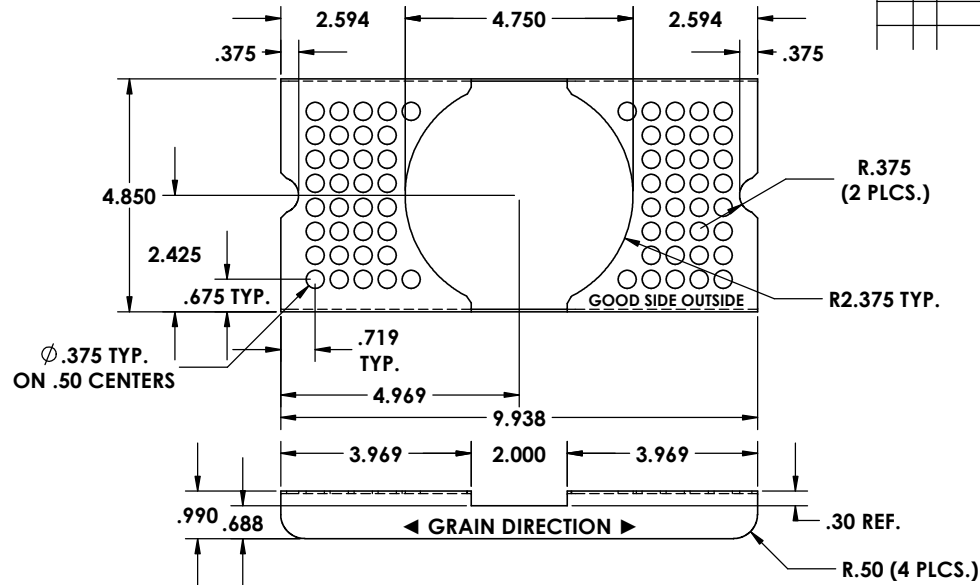


REVISIONS		DATE	APPROVED
ZONE	REV.	DESCRIPTION	



5/8-18 THREADED DRAIN FITTING

PART NO. ACU-S-705010

DESCRIPTION	3-1/2" - 5/8-18 DRAIN KIT	PART NO.	0030-3-KIT
MATERIAL	18 GA. 304 STAINLESS STEEL	PART NO.	ACU-S-705010-SCR
MATERIAL	18 GA. 304 STAINLESS STEEL	PART NO.	ACU-S-705010-SM-DR
DRAWN	L. WILLIAMS	DATE	4/20
FINISH	#4 BRUSHED	TITLE:	10"X5"X1" SM-DR 10" SURFACE MOUNT w/DRAIN & RINSER 10" TRAY INSERT (SCREEN)
COMMENTS:			<b>AMERICAN COFFEE URN</b>

PROPRIETARY AND CONFIDENTIAL

THE INFORMATION CONTAINED IN THIS DRAWING IS THE SOLE PROPERTY OF ACU PRECISION SHEET METAL. ANY REPRODUCTION IN PART OR AS A WHOLE WITHOUT THE WRITTEN PERMISSION OF ACU PRECISION SHEET METAL IS PROHIBITED.

ACU PRECISION SHEET METAL IS:  
AMERICAN COFFEE URN MANUFACTURING CO., INC.

NOTES:

- 1) ALL DIMENSIONS ARE OUTSIDE DIMENSIONS (UNLESS OTHERWISE NOTED)